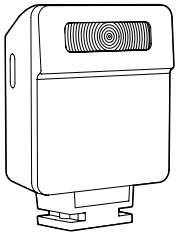


Godox



iM22

iFlash 机顶闪光灯
iFlash Camera Flash

使用手册
Instruction Manual

重要安全提示

本产品属于专业摄影设备，需要专业人员操作使用。
使用前必须拆除产品上的所有运输保护材料和包装。
使用时必须遵守以下基本安全预防措施：

- 使用本产品前，请仔细阅读并完全理解产品说明书，严格按照说明书中的安全提示操作。否则，可能导致严重伤害、产品损坏或其他财产损失的安全隐患。
- 本产品为专业灯具，儿童禁止使用。儿童接近时，成人必须密切监督，防止儿童碰撞灯具或私自使用灯具，造成人身伤害。
- 本灯具并非普通灯具，不可用于普通照明，任何有过眼部损伤或眼部敏感的人群均应避免使用本灯具或直视本灯具。
- 使用时必须小心，严禁接触如闪光灯管等高温部件，以避免烫伤。
- 任何情况下均禁止将闪光灯直接对准人眼（特别是婴儿眼睛），否则短时间内可能导致视力损伤。如感到眼睛不适，应立即关闭灯具，停止使用并及时就医。
- 闪光灯管损坏时，应立即停止使用，及时联系制造商、服务代理商或合格维修人员更换，以防发生事故。
- 严禁使用损坏的设备或配件，必须等待专业维修人员检查维修并确认设备正常后，才可继续使用。
- 使用过程中，如果产品因跌落、挤压或强力冲击导致外壳破裂，应立即停止使用，避免接触内部电子部件而触电受伤。
- 本设备不防水，请保持干燥，不能浸入水或其他液体；应安装在通风干

燥位置，避免在雨天、潮湿、多尘或过热环境中使用。不要在设备上方放置物品，或让液体流入内部，防止发生危险。

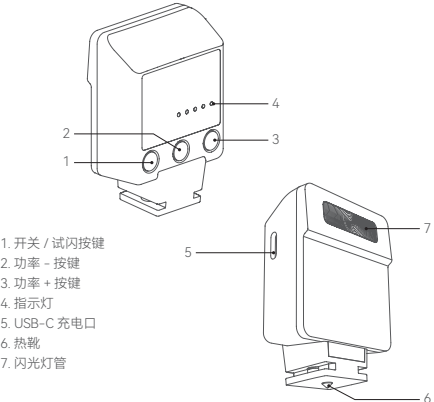
- 未经授权，请不要自行拆卸本产品。产品若出现故障，必须由本公司或授权维修人员检查和维修。
- 存放设备前，请确保设备已完全冷却，拔下电源线，放入设备包内或通风干燥位置。
- 请勿将设备放置在酒精、汽油等易燃挥发性溶剂或气体如甲烷、乙烷等附近。
- 本设备禁止在有爆炸危险的环境中使用或存放。
- 严禁覆盖设备散热口！
- 请勿使用未经本公司认可的配件，以免造成火灾、触电或人身伤害。
- 清洁设备时，请用干燥软布轻轻擦拭，不可使用湿布，否则可能会损坏设备。
- 本使用说明基于严格测试制定，设计和规格变更恕不另行通知。您可登录我们官方网站查看最新电子版使用说明，了解产品最新资讯。
- 处理任何电池前，请确认并遵守当地相关法律法规。
- 本设备整机的保修期为一年。消耗品如电池、适配器、电源线等配件不在保修范围内。
- 私自维修将取消保修资格，需支付维修费用。
- 不当操作导致故障不在保修范围。

前言

感谢您购买神牛产品！

微型机顶闪光灯 iM22，轻便易携，插入相机毫无负担；具备 5 档功率调节；内置锂电池，移动性强。底部采用单触点热靴设计，广泛兼容多品牌相机，插入即可实现同步触发。

部件名称



- 开关 / 试闪按键
- 功率 - 按键
- 功率 + 按键
- 指示灯
- USB-C 充电口
- 热靴
- 闪光灯管

物品清单



灯体 ×1

USB-C 充电线 ×1

收纳袋 ×1

说明书 ×1

开关 / 试闪按键

开机：长按此按键指示灯亮起，即开机成功；

试闪：开机后绿灯闪烁表示正在回电，此状态无法进行试闪；待几秒钟后绿灯常亮表示回电结束，此时短按一次该按键灯头可试闪一次。

关机：长按此按键指示灯熄灭，即关机成功。

功率 - 按键 / 功率 + 按键

开机后，短按功率 - 按键 / 功率 + 按键可调节闪光功率，共五档功率。同时按住功率 - 按键和功率 + 按键查看电量，一格绿灯表示一格电，满电为五格电，处于一格电时请及时充电。


没电提示

当指示灯五个格子同时绿灯闪烁，表示机器处于没电状态，无法引闪及回电，30 秒后自动关机。

自动关机

当超过 1 小时无人操作，机器启动自动关机程序。

规格参数

型号	iM22
内置锂电池	3.8V，470mAh
输入	5V  0.5A
充电时间	≈ 1 个小时 10 分钟
闪光次数（最大档）	≈ 440 次
回电时间（最大档）	≈ 3 秒
闪光功率档位	5 档
工作环境温度	-10℃ - +35℃
同步触发	热靴
尺寸	57×40×22mm
净重	≈ 34g

规格和参数如有变更，恕不另行通知。

产品保修

尊敬的用户，本保修卡是申请维修服务的重要凭证，请您配合销售商填写并妥善保管，谢谢！

产品信息	型号	产品条码
用户信息	姓名	联系电话
	通信地址	
销售商信息	名称	
	联系电话	
	通信地址	
	销售日期	
备注		

注：此表应由销售商盖章确认。

产品信息

本文件适用于相关《产品保修信息》（见后面说明）所列产品，其他非属此范围的产品或部件（如促销品、赠品及其他出厂后附加的部件等）不在此保修承诺内。

保修期

产品及部件的相应保修期按相关的《产品保修信息》执行。保修期自产品首次购买日起算，购买日以购买产品时保修卡登记日期为准。

如何获得维修服务

您可直接与产品销售商或授权服务机构联系，也可拨打神牛产品售后服务电话，与我们联系，由我们的服务人员为您安排服务。申请保修时，您应提供有效的保修卡作为保修凭证，方可获得保修。如您不能提供有效的保修卡，则在我们确认产品或部件属于保修范围的情况下，也可以为您提供保修，但这不作为我们的义务。

不适用保修情况

如产品存在下列情况，本文件项下的保证和服务将不适用：①产品或部件超过相应保修期；②错误或不适当使用、维护或保管导致的故障或损坏，如：不当搬运；非按产品合理预期用途使用；不当插拔外接设备；跌落或外力挤压；接触或暴露于不适当温度、溶剂、酸碱、水浸或潮湿环境；③由非神牛授权机构或人员安装、修理、更改、添加或拆卸造成的故障或损坏；④产品或部件原有识别信息被修改变更或删除；⑤无有效保修卡；⑥使用非合法授权、非标准或非公开发行的软件造成的故障或损坏；⑦因不可抗力或意外事件造成的故障或损坏；⑧其他非因产品本身质量问题导致的故障或损坏。遇上述情况，您应向相关责任方寻求解决，神牛对此不承担任何责任。因非在保修期或保修范围内的部件、附件或软件导致产品不能正常使用的，不是保修范围内的故障。产品使用过程中正常的脱色，磨损和消耗，不是保修范围内的故障。

产品保修和服务支持信息

产品的保修期和服务类型按以下《产品保修信息》执行：

产品类别	选件名称	保修期（月）	保修服务类型
部件	电路板	12	客户送修
	电池	3	客户送修
	充电器等带电性能的部件。	12	客户送修
其他	如闪光灯管、造型灯泡、外壳、保护罩、锁紧装置、包装等。	无	无保修

神牛产品售后服务电话 0755-29609320-8062

Important Safety Instructions

This product is a professional photographic equipment, to be operated by professional personnel only.

All transport protective materials and packaging on the product must be removed before use.

The following basic safety precautions must be followed when using this product:

- Carefully read and fully understand the instruction manual before use and strictly follow the safety instructions. Failure to do so may result in death, serious injury, damage to the product, or other property damage.
- This product is a professional lighting fixture, children are prohibited from using it. Children must be closely supervised by adults when approaching the fixture, to prevent collisions with the fixture or unauthorized use that could cause personal injury.
- This is not an ordinary lighting fixture and must not be used for general illumination. Anyone with a history of eye damage or sensitivity should avoid using this fixture or looking directly at it.
- Extreme caution must be exercised when using it, do not touch high-temperature parts such as flash tubes to avoid burns.
- Do not point the flash directly at the eyes (especially baby's eyes) under any circumstances, as this could impair vision in a short time. Turn off immediately if discomfort occurs, stop using, and seek medical attention promptly.
- If the flash tube is damaged, stop using it immediately and contact the manufacturer, service agent, or qualified repair personnel for a replacement to prevent accidents.
- Do not use damaged equipment or accessories. Allow professional repair technicians to inspect and confirm normal operation before continuing use after repairs.
- Stop using immediately if the product shell is cracked due to falling, squeezing, or strong impact, to avoid touching the internal electronic components and getting an electric shock.
- This device is not waterproof. Keep it dry and avoid immersing it in water or other liquids. It should be installed in a ventilated and dry location and avoid using in rainy, humid, dusty, or overheated environments. Do not place items above the device or allow liquids to flow into it to prevent danger.
- Do not disassemble without authorization. If the product malfunctions, it must be inspected and repaired by our company or authorized repair personnel.
- Before storing the device, ensure it has completely cooled down and the power cord is unplugged, then put it in the protective case or a ventilated dry location.
- Do not place the device near alcohol, gasoline, or other flammable volatile solvents or gases such as methane and ethane.
- Do not use or store this device in potentially explosive environments.
- Do not cover the heat dissipation port!

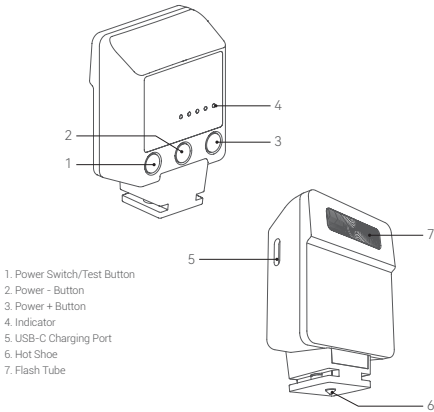
- Do not use accessories not been approved by our company, as this may cause fire, electric shock or personal injury.
- Clean gently with a dry cloth. Do not use a wet cloth as it may damage the device.
- This instruction manual is based on rigorous testing. Changes in design and specifications are subject to change without notice. Check official website for latest instruction manual and product updates.
- Confirm and comply with all relevant local laws and regulations when handling any batteries.
- The warranty period for this device as a whole is one year. Consumables (such as batteries), adapters, power cords, and other accessories are not covered by the warranty.
- Unauthorized repairs will void the warranty and will incur charges.
- Failures from improper operation is not covered under warranty.

Foreword

Thank you for purchasing!

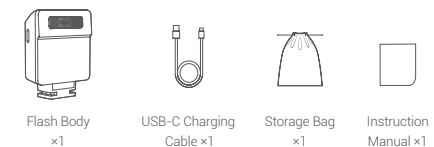
With a tiny and exquisitely palm-holding size, iM22 can be inserted into the camera without burden. It's equipped with 5 steps of adjustable power, built-in lithium battery to enable great portability, legacy hot shoe to be compatible with various camera models and be triggered synchronously by simply plugging in.

Name of Parts



- Power Switch/Test Button
- Power - Button
- Power + Button
- Indicator
- USB-C Charging Port
- Hot Shoe
- Flash Tube

What's Inside



Power Switch/Test Button

Power On: Press and hold the button until the indicators turn on, the flash is switched on.

Test: After powering on, the green light blinks to indicate that the flash is recycling, which cannot be tested. After a few seconds, the green light is constant on to indicate recycle done, then press the button once to fire a testing flash.

Power Off: Press and hold the button until the indicators turn off, the flash is switched off.

Power – Button/Power + Button

Press the power- button or power + button can adjust the flash power in 5 levels. Press the power- button and power + button at the same time can check the battery level. One grid of green light means one grid of battery level, full battery level is five grids, so please charge the device in time if it only has one grid of battery level.

No Power Prompt

When the five grids of indicator flash green at the same time, it means that the device is in a state of no power, unable to flash and recycle, and will automatically shut down after 30 seconds.

Auto Power Off

The flash will shut down automatically after 1 hour of idle use.

Technical Data

Model	iM22
Built-in Lithium Battery	3.8V, 470mAh
Input	5V = 0.5A
Charging Time	=1h 10min
Flash Time (at full power)	=440
Recycle Time (at full power)	=3s
Flash Power Steps	5
Working Environment Temperature	-10°C +35°C
Sync Triggering	Hot Shoe
Dimension	2.24 *1.57 *0.87"
Net Weight	=34g

Specifications and data may subject to changes without notice.

Declaration of Conformity:

GODOX Photo Equipment Co.,Ltd. hereby declares that the This equipment are in compliance with the essential requirements and other relevant provisions of EU Directive 2014/35/EU, 2014/30/EU. They are allowed to be used in all EU member states.

For more information of DoC, Please click this web link:
<https://www.godox.com/eu-declaration-of-conformity/>

FCC Statement

This device complies with part 15 of the FCC Rules. Operation is subject to the following two conditions:

(1) This device may not cause harmful interference, and
 (2) this device must accept any interference received, including interference that may cause undesired operation.
 Any Changes or modifications not expressly approved by the party responsible for compliance could void the user's authority to operate the equipment.

IC Warning

This device complies with Industry Canada licence-exempt RSS standard(s). Operation is subject to the following two conditions:(1) This device may not cause interference, and (2) This device must accept any interference, including interference that may cause undesired operation of the device. Le présent appareil est conforme aux CNR d'Industrie Canada applicables aux appareils radio exempts de licence. L'exploitation est autorisée aux deux conditions suivantes: (1) l'appareil ne doit pas produire de brouillage, et (2) l'utilisateur de l'appareil doit accepter tout brouillage radioélectrique subi, même si le brouillage est susceptible d'en compromettre le fonctionnement.

Warranty

Dear customers, as this warranty card is an important certificate to apply for our maintenance service, please fill in the following form in coordination with the seller and safe-keep it. Thank you!

Product Information	Model	Product Code Number
Customer Information	Name	Contact Number
	Address	
Seller Information	Name	
	Contact Number	
	Address	
	Date of Sale	
Note		

Note: This form shall be sealed by the seller.

Applicable Products

Applicable ProductsThe document applies to the products listed on the Product Maintenance Information (see below for further information). Other products or accessories (e.g. promotional items,giveaways and additional accessories attached,etc.) are not included in this warranty scope.

Warranty Period

The warranty period of products and accessories isimplemented according to the relevant Product Maintenance Information. The warranty period is calculated from the day(purchase date) when the product is bought for the first time.And the purchase date is considered as the date registered onthe warranty card when buying the product.

How to Get the Maintenance Service

If maintenance service is needed, you can directly contact the product distributor or authorized service institutions. You can also contact the Godox after-sale service call and we will offer you service. When applying for maintenance service, you should provide valid warranty card. If you cannot provide valid warranty card, we may offer you maintenance service once confirmed that the product or accessory is involved in the maintenance scope, but that shall not be considered as our obligation.

Inapplicable Cases

The guarantee and service offered by this document are not applicable in the following cases: ① The product or accessory has expired its warranty period; ② Breakage or damage caused by inappropriate usage, maintenance or preservation, such as improper packing, improper usage, improper plugging in/out external equipment, falling off or squeezing by external force, contacting or exposing to the improper temperature, solvent, acid, base, flooding and damp environments, etc; ③ Breakage or damage caused by non-authorized institution or staff in the process of installation, maintenance, alternation, addition and detachment; ④ The original identifying information of product or accessory is modified, alternated, or removed; ⑤ No valid warranty card; ⑥ Breakage or damage caused by using illegally authorized, nonstandard or non-public released software; ⑦ Breakage or damage caused by force majeure or accident; ⑧ Breakage or damage that could not be attributed to the product itself. Once met these situations above, you should seek solutions from the related responsible parties and Godox assumes no responsibility. The damage caused by parts, accessories and software that beyond the warranty period or scope is not included in our maintenance scope. The normal discoloration, abrasion and consumption are not the breakage within the maintenance scope.

Maintenance and Service Support Information

The warranty period and service types of products are implemented according to the following Product Maintenance Information:

Product Type	Name	Maintenance Period(month)	Warranty Service Type
Parts	Circuit board	12	Customer sends the product to designated site
	Battery	3	Customer sends the product to designated site
	Electrical parts e.g.battery charger, etc.	12	Customer sends the product to designated site
Other Items	Flash tube, modeling lamp, lamp body, lamp cover, locking device, package, etc.	No	Without warranty

Godox After-sale Service Call +86-755-29609320(8062)



深圳市神牛摄影器材有限公司

地址: 深圳市宝安区福海街道福海社区福川工业园厂房2栋
 电话: 0755-29609320 (8062) 传真: 0755-25723423 邮箱: godox@godox.com

GODOX Photo Equipment Co., Ltd.

Add.: Building 2, Yaochuan Industrial Zone, Tangwei Community, Fuhai Street, Bao'an District, Shenzhen 518103, China Tel: +86-755-29609320(8062)
 Fax: +86-755-25723423 E-mail: godox@godox.com

www.godox.com
 Made in China | 705-YM2200-00

