

合格证  
QC PASS



Wechat  
Official Account  
神牛微信公众号

### 深圳市神牛摄影器材有限公司

地址：深圳市宝安区福海街道塘尾社区耀川工业园厂房 2 栋  
电话：0755-29609320（8062） 传真：0755-25723423 邮箱：godox@godox.com

### GODOX Photo Equipment Co., Ltd.

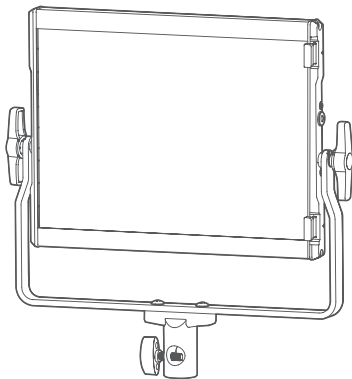
Add.: Building 2, Yaochuan Industrial Zone Tangwei Community, Fuhai Street, Bao'an District, Shenzhen  
518103, China Tel: +86-755-29609320(8062) Fax: +86-755-25723423 E-mail: godox@godox.com

[www.godox.com](http://www.godox.com)

Made in China | 705-LP40R0-00



# LITEMONS



## LP400R LP600R

光小兽全彩 LED 直播面板灯  
LITEMONS Full Color LED Light Panel

使用手册  
Instruction Manual

## 重要的安全说明及注意事项

首先作为最基本原则：本产品为专业灯光布景设备，应由专业灯光师使用或在专业人士指导下使用。使用时必须始终遵循基本的安全预防措施，具体安全预防措施如下：

1. 使用前必须阅读并理解产品说明书。
2. 专业灯具，禁止儿童使用。当儿童靠近时，家长或陪护人必须密切监督，以免儿童因碰撞灯具或私用灯具造成人身伤害。
3. 本灯具并非普通照明灯具，不可用于普通照明，任何有过眼部损伤或眼部敏感的人群均应避免使用本灯具。
4. 灯具点亮时，必须小心使用，禁止接触高温部件，如 LED 灯珠，以免造成灼伤。
5. 灯具点亮时，任何情况下均禁止直视灯珠。应该在专业灯光师指导下使用强光，任何情况下避免长时间处于强光环境，如引起眼睛不适，请及时关闭灯具，暂停使用，请及时就医。
6. 倘灯珠损坏或因热变形，应停止使用，并及时联系制造商、服务代理商或合格的维修人员更换灯珠，以免发生意外。
7. 本产品仅适用于  $-10^{\circ}\text{C}$  ~  $+35^{\circ}\text{C}$  工作环境温度及正常湿度环境下使用。
8. 请勿使用损坏的设备或设备配件，待专业维修人员检查维修，确认设备正常方可使用。
9. 在使用过程中，如果本产品由于跌落、受到挤压或遭受强烈冲击而造成外壳破裂的，请勿继续使用，以免因接触到内部电子元件而受到电击伤害。
10. 如需要延长线，请使用额定电流  $\geq$  该设备额定电流的延长线。如延长线额定电流小于该设备，可能导致过热。
11. 部分产品电源线较长，请合理放置电源线，使其处于安全位置。避免电源线接触过热物体表面、避免放置不当导致拉扯损坏或绊倒现场人员。请使用本厂原装电源线，如使用非本厂电源线导致产品损坏，概不在本厂维修范围内。
12. 在清洁和维修之前，请务必从电源插座上拔下该设备插头。不使用时，禁止拉扯电源线以将设备插头从电源插座中拔出。正常断电，应是用手抓住该设备插头两端，将插头从电源插座中拔出。此设备需连接到接地插座中。
13. 本设备没有防水性能，请让设备保持干燥，请勿将本设备浸入水中或其他液体中。设备需安装在干燥且通风处，避免在雨天、潮湿、多尘或过热环境下使用。请勿将任何物体置于灯具上或使液体流入灯具内部，以免发生意外。
14. 请勿私自拆卸产品，如产品出现故障，须由本公司或授权的维修人员进行检查维修。
15. 存放本设备之前，请确保设备已完全冷却。存放时，将电源线从设备上拔出。设备应放置于设备便携包内或通风干燥处。
16. 请勿将设备放置在酒精、汽油等易燃易挥发的溶剂附近。
17. 本厂不推荐的产品附件，请勿使用，以免导致火灾、触电或人身伤害。
18. 清洁本设备时，请勿用湿布擦拭，请用干布，软布擦拭设备污垢。
19. 设备使用前，请注意将保护罩取下。
20. 本产品已通过 ROHS, CE 和 FCC 认证，请参考相关国家标准使用和操作。

21. 安全说明依据本厂严格测试制定，设备设计和规格如有变更，恕不另行通知。客户可以上神牛官网查看最新的电子版说明，了解产品最新资讯。
22. 部分产品内置锂电池。此类产品请使用专用的充电器进行充电，并且按正确的操作说明，在规定的电压、温度范围内使用。
23. 部分产品使用电池供电。此类产品请勿使用说明书中未指定的任何电池、电源或附件。请将电池和其他附件置于儿童及婴幼儿无法触及之处。如果儿童或婴幼儿吞下电池或附件，请立刻就医。如果电池漏液、变色、变形、冒烟或发出异味，请立刻将其取出。在取出过程中请小心，以免烫伤。如果继续使用，可能会引起火灾、触电或皮肤烫伤。请勿使用任何变形或改造过的电池。请勿拆卸或改造本产品或电池。请勿加热电池或焊接电池。请勿让电池与火或水接触。请勿让电池受到强烈的外力撞击。请勿将电池的正负端错误插入，或将新旧电池或不同类型的电池混合使用。
24. 一年保修期，消耗品电池、适配器、电源线等配件不在此保修范围内。
25. 经发现，擅自检修设备，将取消一年保修期，维修需要收取相关费用。
26. 对于不规范操作引起的机器故障不在保修范围内。

#### **保存这些说明**

本设备包含型号核准代码为 :CMIT ID:2020DP13510，为该产品的无线电发射模块。

## 前言

感谢您购买神牛产品。

LP400R / LP600R 是一款金属材质 RGBW 面板摄影灯，拥有五种光效模式：CCT 色温模式、HSI 彩光模式、RGBW 模式、GEL 色片模式、FX 场景光效模式；支持蓝牙 APP/ 灯体面板控制；适用于广告摄影、婚纱人像、新闻采访、影视制作、微电影拍摄等场景。

## 主要特点

- 广域色温，支持 1800K-10000K 色温之间自由调节。
- 2 种供电方式，支持 DC 供电或 NPF 电池供电。
- 2 种控制方式，支持蓝牙 APP/ 灯体控制。
- 可拆卸遮扉，为布光提供更多可能。
- 内置 HSI 模式，36000 种色彩可调，360°全色域随心选择。
- 内置 GEL 色片模式，多种流行色片样式，无需费时自调。
- 内置 RGBW 模式，四色混光，获得完美白光及低饱和淡彩光。
- 拥有 14 类 FX 场景光效：闪光灯、雷闪电、多云、坏灯泡、电视机、蜡烛、火、烟花、爆炸、焊接、警车、SOS、彩光循环、派对。
- 底部支架为灯具提供 360°旋转角度，利于灵活布光。



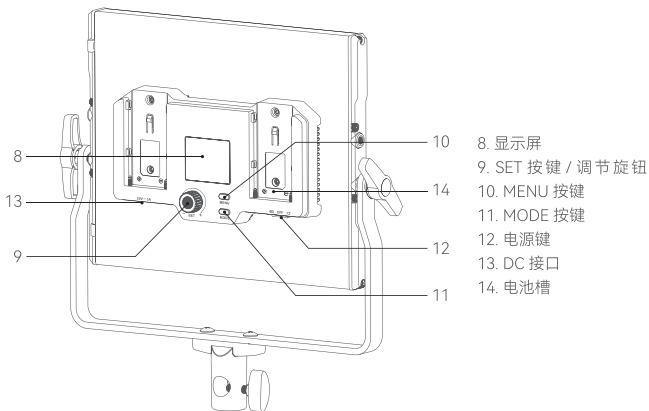
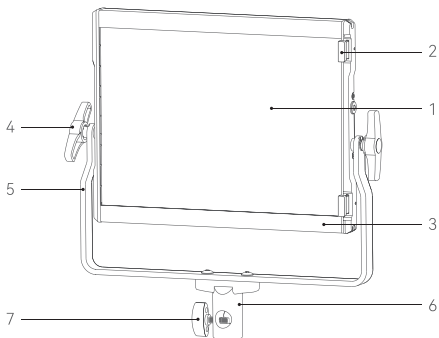
### 警告

- ⚠ 请保持干燥：请勿用湿手接触产品，亦不可将产品浸入水中或暴露于雨中。
- ⚠ 请勿私自拆卸产品，如产品出现故障须由本公司或授权的维修人员进行检查维修。
- ⚠ 请勿让儿童接触本产品。
- ⚠ 本产品不能防水，在雨天及潮湿环境下请注意防水。
- ⚠ 请勿放置在超过 40 摄氏度的高温环境中。
- ⚠ 请勿在化学品、可燃性气体或其他特殊物质附近使用 LED 灯。在这些场合下，请注意相关警告标识。

## 部件名称

### 灯体

1. 灯体
2. 拆装推钮
3. 安装滑道
4. 支架调节旋钮
5. U型支架
6. 套筒
7. 套筒旋钮



## LP400R 物料清单



带 U 架灯体  
× 1



适配器  
× 1



电源线  
× 1



四叶遮扉  
× 1



便携包  
× 1



说明书  
× 1

## LP400R K2 物料清单



带 U 架灯体  
× 2



适配器  
× 2



电源线  
× 2



四叶遮扉  
× 2



灯架  
× 2



便携包  
× 1



说明书  
× 1

## LP400R K3 物料清单



带 U 架灯体  
× 3



适配器  
× 3



电源线  
× 3



四叶遮扉  
× 3



灯架  
× 3



便携包  
× 1



说明书  
× 1

## LP600R 物料清单



带 U 架灯体  
× 1



适配器  
× 1



电源线  
× 1



四叶遮扉  
× 1



便携包  
× 1



说明书  
× 1

## LP600R K2 物料清单



带 U 架灯体  
× 2



适配器  
× 2



电源线  
× 2



四叶遮扉  
× 2



灯架  
× 2



便携包  
× 1



说明书  
× 1

## LP600R K3 物料清单



带 U 架灯体  
× 3



适配器  
× 3



电源线  
× 3



四叶遮扉  
× 3



灯架  
× 3



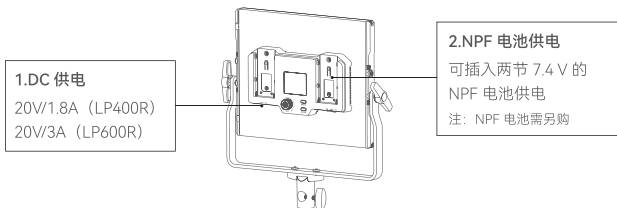
便携包  
× 1



说明书  
× 1

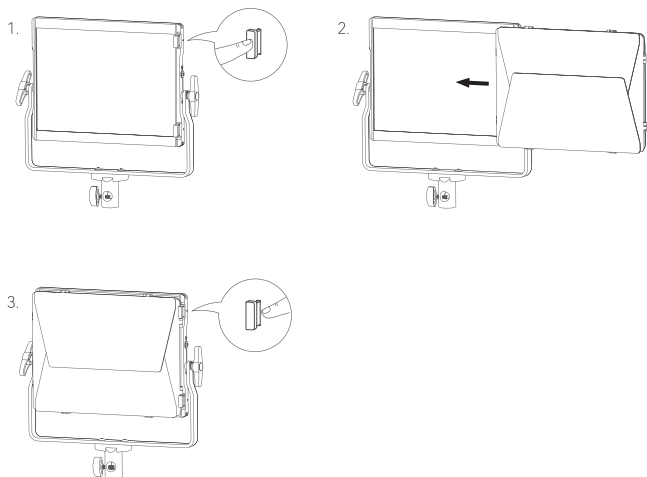


## 供电方式





## 安装遮扉

按下拆装按钮，将闭合状态的遮扉从侧方滑轨推入，再向正面方向推起拆装按钮完成安装。

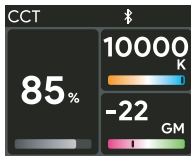


## 开关机

1. 插入两节 NPF 电池后，拨动开关按键至 , 即可实现开机。
2. 通过适配器连接交流电后，拨动开关按键至 , 即可实现开机。
3. 无论处于哪种供电，拨动开关按键至 **OFF**, 即可实现关机。

## 亮度调节

处于 CCT/HSI/RGB/GEL/FX 模式界面时，短按 SET 按键选择亮度后旋转调节旋钮即可调节亮度，左旋一次减少 1 个单元值，右旋一次增加 1 个单元值，快速旋转进入快调模式，亮度调节范围为 0%-100%。

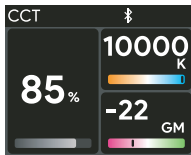


## 模式选择

短按 MODE 按键进入模式选择界面，旋转调节旋钮选中所需模式后，短按 SET 按键进入模式设置界面。

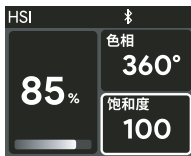
### 1. 色温模式

在色温设置界面，短按 SET 按键可选色温调节或洋红 / 绿调节，色温调节范围为 1800-10000K，洋红 / 绿调节范围为 -50~+50。



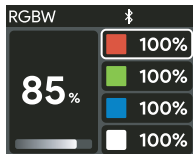
### 2. HSI 彩光模式

在 HSI 彩光设置界面，短按 SET 按键可选择 H (色相) / S (饱和度)，色相调节范围为 0°-360°，饱和度调节范围为 0-100。



### 3. RGBW 模式

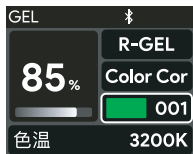
在 RGBW 设置界面，短按 SET 按键可选红光 / 绿光 / 蓝光 / 白光，调节范围均为 0%-100%。



### 4. GEL 色片模式

在 GEL 设置界面，短按 SET 按键可选色片类型 / 色片组类型 / 色片号 / 色温值。色温值可选范围为 3200K 或 5600K。

注：更多色片种类可在“Godox light”APP 上选择。



### 5. FX 场景光效模式

在 FX 光效设置界面，短按 SET 按键可选光效类型 / 光效设置选项，共有 14 类 FX 场景光效。旋转调节旋钮可切换光效类型或光效选项。

注：更多色片种类可在“Godox light”APP 上选择。



序号	光效图标	光效类型	光效设置选项	调节范围
1		闪光灯	类型	CCT/HSI
			色温	1800K-10000K
			色相	0° -360°
			速度	1-100
2		雷闪电	频率	随机 /1-20
			色温	1800K-10000K
			闪烁次数	随机 /1-10
3		多云	亮暗比例	30%-90%
			速度	随机 /1-100
4		坏灯泡	类型	CCT/HSI
			色温	1800K-10000K
			色相	0° -360°
5		电视机	类型	CCT/HSI
			速度	1-100
6		蜡烛	速度	1-100
7		火	速度	1-100
8		烟花	速度	1-100
			余烬	1-100
9		爆炸	类型	CCT/HSI
			色温	1800K-10000K
			色相	0° -360°
			速度	1-100
10		焊接	余烬	1-100
			类型	CCT/HSI
			色温	1800K-10000K
			色相	0° -360°
11		警车	速度	1-100
			颜色	红 + 蓝、红、蓝、黄、蓝 + 白、蓝 + 黄、蓝 + 白、红 + 黄 + 蓝
			模式	1/2/3/4/5
12	SOS	SOS	类型	CCT/HSI
			色温	1800K-10000K
13		彩光循环	色相	0° -360°
			速度	1-100
			饱和度	0-100
14		派对	速度	1-100
			饱和度	0-100

## 菜单设置

短按 MENU 按键进入菜单界面，旋转并短按 SET 按键 / 调节旋钮可进入各选项的设置。

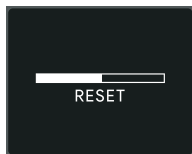
### 1. 蓝牙设置

进入蓝牙设置界面，旋转调节旋钮选择蓝牙开启或关闭，设置完成短按 SET 按键可跳入下一栏的蓝牙重置或取消，MAC 地址位于界面下方，便于快速找到灯具进行匹配。



### 蓝牙重置:

短按 SET 按键选择复位，向任意方向旋转 SET 旋钮，页面出现 Reset 进度条，当进度条拉满后即处于蓝牙重置中。



### 2. 语言

短按 SET 按键进入语言设置，旋转调节旋钮可选简体中文 /English。




### 3. 屏幕设置

短按 SET 按键进入屏幕设置，旋转调节旋钮可设置屏幕亮度，可设置范围为 10%-100%。



#### 4. 升级说明

短按 SET 按键进入升级说明，此界面可查看升级步骤。



设备与手机蓝牙  
连接成功后，从APP  
界面进行升级

#### 5. 恢复出厂设置

短按 SET 按键进入恢复出厂设置，旋转调节旋钮可选确定 / 取消，当您确定恢复出厂设置，灯具将自动重启，灯体亮度值变为 100%且主界面来到 CCT 模式。

注：出厂设置亮度值较高，请谨慎操作，注意高温高亮，避免直视和接触发光面。



恢复出厂设置

确认

取消

#### 6. 灯具信息

短按 SET 按键进入灯具信息，此界面可查看产品型号 / 固件版本 / 认证信息 / 灯头温度。



关于本机

型号：LP600R

固件版本：V0.3

认证信息：CE

灯头温度：26

## “Godox Light”APP 下载

扫描二维码即可下载“Godox Light”手机 APP（安卓和苹果系统均可使用）。

注：1. 首个移动设备（手机或平板电脑）可直接使用 APP 操控灯体。更换其他移动设备时，灯体需进行蓝牙重置方可正常使用 APP。

2. APP 需升级至 V3.0 以上版本。



## 维护保养

一年保修期，消耗品电池，适配器，电源线等配件不在此保修范围内。

经发现，擅自检修此灯，将取消该产品一年保修期，维修需要收取相关费用。

对于不规范操作引起的机器故障不在保修范围内。

所有维修一概由本厂指定的可供原配件的维修部负责。

如本品出现故障或者被水淋湿，在专业人员维修后方可继续使用。

灯具在工作时，如发现异常，应立即关掉电源，查明原因。

## LP400R 照度参数

色温	测试条件	照度单位	0.5m	1m	2m
1800K	带柔光板	lux	≈ 2890	≈ 742	≈ 183
		fc	≈ 269	≈ 69	≈ 17
2800K		lux	≈ 5330	≈ 1380	≈ 348
		fc	≈ 495	≈ 128	≈ 32
3200K		lux	≈ 5720	≈ 1460	≈ 369
		fc	≈ 531	≈ 136	≈ 34
4300K		lux	≈ 5820	≈ 1540	≈ 396
		fc	≈ 536	≈ 143	≈ 37
5600K		lux	≈ 6480	≈ 1670	≈ 420
		fc	≈ 602	≈ 156	≈ 39
6500K		lux	≈ 6430	≈ 1640	≈ 416
		fc	≈ 597	≈ 152	≈ 39
8500K	lux	≈ 6210	≈ 1610	≈ 407	
	fc	≈ 577	≈ 149	≈ 38	
10000K	lux	≈ 5880	≈ 1520	≈ 385	
	fc	546	≈ 141	≈ 36	
红	lux	≈ 1510	≈ 368	≈ 89	
	fc	≈ 140	≈ 34	≈ 8	
绿	lux	≈ 3490	≈ 900	≈ 227	
	fc	≈ 324	≈ 84	≈ 21	
蓝	lux	≈ 879	≈ 228	≈ 58	
	fc	≈ 80	≈ 21	≈ 5	

以上测试皆在灯体 100%亮度下进行，照度值为平均值，非绝对值。



## LP600R 照度参数

色温	测试条件	照度单位	0.5m	1m	2m
1800K	带柔光板	lux	≈ 5500	≈ 1410	≈ 362
		fc	≈ 511	≈ 131	≈ 34
2800K		lux	≈ 7260	≈ 1900	≈ 474
		fc	≈ 674	≈ 176	≈ 44
3200K		lux	≈ 8610	≈ 2260	≈ 564
		fc	≈ 800	≈ 210	≈ 52
4300K		lux	≈ 9240	≈ 2420	≈ 609
		fc	≈ 858	≈ 224	≈ 57
5600K		lux	≈ 9270	≈ 2430	≈ 607
		fc	≈ 861	≈ 225	≈ 56
6500K		lux	≈ 7980	≈ 2090	≈ 520
		fc	≈ 742	≈ 194	≈ 48
8500K	lux	≈ 7710	≈ 2010	≈ 505	
	fc	≈ 716	≈ 187	≈ 47	
10000K	lux	≈ 7960	≈ 2090	≈ 525	
	fc	≈ 740	≈ 194	≈ 49	
红	lux	≈ 1750	≈ 451	≈ 108	
	fc	≈ 162	≈ 42	≈ 10	
绿	lux	≈ 4000	≈ 1080	≈ 269	
	fc	≈ 371	≈ 100	≈ 25	
蓝	lux	≈ 1020	≈ 272	≈ 69	
	fc	≈ 95	≈ 25	≈ 6	

以上测试皆在灯体 100%亮度下进行，照度值为平均值，非绝对值。

## 规格参数

型号	LP400R	LP600R
输入功率	36W	60W
供电	20V ■ 1.8A	20V ■ 3A
色温	1800K-10000K	
调光范围	0%-100%	
CRI	平均≥ 96	
TLCI	平均≥ 96	
FX 光效	14 种	
蓝牙控制距离	≥ 15 米	
工作环境温度	-10° C-35° C	
控制方式	蓝牙 APP 控制 / 灯体控制	
尺寸	229*201*69.5mm	264*201*69.5mm
净重	855g	985g

## Safety Instructions and Attentions

**First of all, as the most basic principle: This product is a professional lighting set equipment and should be used by professional lighting engineers or under the guidance of professionals. Basic safety attentions must always be followed during use, as follows:**

1. Before use, please read and understand these instructions and attentions.
2. Professional lighting is prohibited for children. When children are near, parents or accompanying persons must supervise closely to prevent children from personal injury due to collision with lamps or private use of lamps.
3. This lighting product is not ordinary lighting product and cannot be used for general lighting. Anyone who has suffered eye damage or has sensitive eyes should avoid using this product.
4. When the lamp is on, it must be used with care. Do not touch high-temperature parts, such as LED lamp beads, to avoid burns.
5. When the lamp is on, it is forbidden to look directly at the lamp beads under any circumstances. Strong light should be used under the guidance of professional lighting engineers. Avoid prolonged exposure to strong light under any circumstances. If eye discomfort, please turn off the lamp in time, suspend use, and see a doctor immediately.
6. If the lamp bead is damaged or deformed by heat, stop using this equipment, and contact the manufacturer, service agent or qualified maintenance personnel to replace the lamp bead in time to avoid accidents.
7. This product is only suitable for use in  $-10^{\circ}\text{C}$  to  $35^{\circ}\text{C}$  operating environment and normal humidity environment.
8. Do not use damaged equipment or accessories, and wait for professional maintenance personnel to check and repair to confirm being normal before use.
9. During using, if the casing of this product is broken due to being dropped, squeezed or subjected to strong impact, please do not use it, so as to avoid electric shock injury due to contact with internal electronic components.
10. If an extension cord is required, please use an extension cord with a current rating greater than or equal to that of the equipment. If an extension cord is rated less than the equipment, overheating may result.
11. Some products have long power cords, please place the power cords properly and keep them in a safe place. Avoid contacting the power cord with overheating surfaces, avoid improper placement that could cause pulling damage, or trip on-site personnel. Please use the certified power cord from the original manufacturer. If the product is damaged by using a non-certified power cord, it will not be repaired by our factory.
12. Be sure to unplug equipment from the power outlet before cleaning and repairing. When not in use, do not pull the power cord to unplug the equipment. For normal power-off, please hold both ends of the plug of the equipment with your hands and pull the plug out of power outlet. This equipment needs to be connected to a grounded outlet.
13. This equipment is not waterproof, please keep it dry and do not immerse it in water or other liquids. The equipment should be installed in a dry and ventilated place, and avoid using it in rainy, humid, dusty or overheated environments. Do not place any objects on the lamp or let

liquid flow into the lamp to avoid accidents.

14. Do not disassemble the product without permission. If the product fails, it must be checked and repaired by authorized maintenance personnel.
15. Before storing, make sure that the equipment has cooled down completely. For storage, unplug the power cord from the equipment. The equipment should be placed in the carrying case or in a ventilated dry place.
16. Do not place equipment near flammable and volatile solvents such as alcohol and gasoline.
17. Do not use accessories that are not recommended by our factory to avoid fire, electric shock or personal injury.
18. When cleaning, do not wipe it with a damp cloth, please use a dry cloth or a soft cloth to wipe the dirt of the equipment.
19. Please take off the protective cover before using.
20. This product complies with ROHS, CE and FCC certification, please refer to the relevant national standards for use and operation.
21. The safety instructions are formulated according to the strict testing of the factory, and the design and specifications of the equipment are subject to change without prior notice. For latest product information, please check the GODOX website and view latest electronic instruction.
22. Some products have built-in lithium batteries. Please use specified chargers, and use them within a proper range of the specified voltage and temperature according to the correct operating instructions.
23. Some products are battery powered. Do not use any batteries, power sources or accessories not specified in the instructions for such products. Keep batteries and other accessories out of the reach of children and infants. In the instance that a child or infant swallows a battery or accessory, immediate emergency medical attention is required. If the battery leaks, becomes discolored, deformed, emits smoke, or emits an abnormal odor, remove it immediately. Be careful during removal to avoid burns. Continued use could result in fire, electric shock, or burns. Do not use any deformed or modified batteries. Do not disassemble or modify this product or battery. Do not heat or solder the battery. Keep the battery away from fire or water. Do not incorrectly insert the positive and negative ends of batteries, or mix old and new batteries or batteries of different types together.
24. One-year warranty period, accessories such as consumable batteries, adapters, power cords, etc. are not covered by this warranty.
25. If it is found that the equipment is repaired without authorization, the one-year warranty period will be cancelled and relevant fees will be charged for maintenance.
26. Machine failures caused by non-standard operation are not covered by the warranty.

**Keep these instructions!**

## Foreword

Thank you for purchasing !

LP400R and LP600R are Godox's latest metal RGBW panel lights featured with five modes (CCT/HSI/RGBW/GEL/FX), Bluetooth app control and light body control, wide CCT range, two power supplies, making them quite suitable for advertising photography, wedding portraits, interviews, film and television production, micro-film shooting and other scenes.

## Main Features

- Wide CCT range freely adjustable from 1800K to 10000K.
- Two ways of power supply: DC power source and NPF battery.
- Two ways of control: Bluetooth app and light body.
- Detachable barndoor provides more flexible lighting options.
- HSI mode is equipped with 36000 colors and 360° color gamut.
- GEL mode has various popular color filters for choice.
- RGBW mode supports red, green, blue and white four-color mix.
- 14 FX modes: flash, lightning, cloudy, broken bulb, TV, candle, fire, firework, explosion, welding, police car, SOS, RGB cycle, party.
- Bracket at the bottom enables 360° freely angle adjustment.



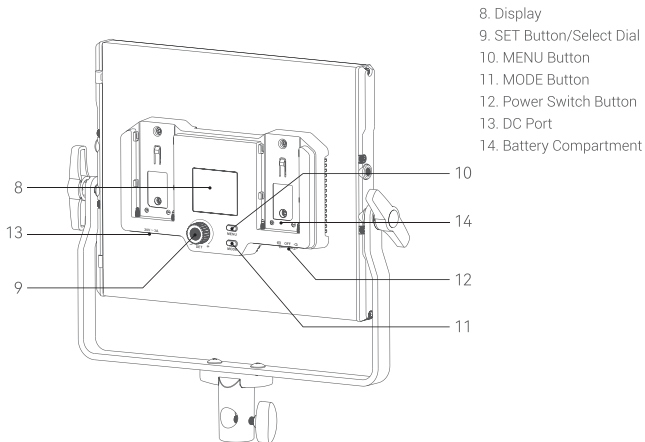
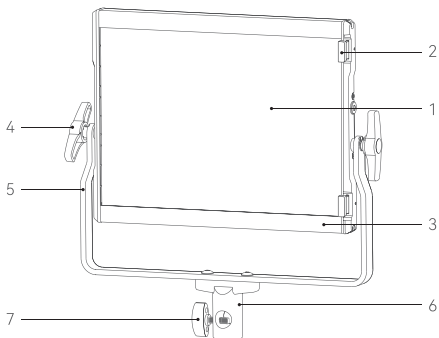
### Warning

- ⚠ Keep dry. Do not handle with wet hands, immerse in water, or expose to rain. Do not place in high temperature or high humidity conditions.
- ⚠ Do not disassemble. Should repairs become necessary, this product must be sent to an authorized maintenance center.
- ⚠ Keep out of reach of children.
- ⚠ As this product is not waterproof, do not use in rain or in damp conditions.
- ⚠ Do not leave or store the product if the ambient temperature reads over 40°C .
- ⚠ Do not use the product in the presence of flammable gases, chemicals and other similar materials. In certain circumstance, please pay attention to the relevant warnings.

## Name of Parts

### Light Body

1. Light Body
2. Lock/Release Pusher
3. Mounting Slide
4. Yoke Adjusting Knob
5. Yoke
6. Sleeve
7. Sleeve Knob



8. Display
9. SET Button/Select Dial
10. MENU Button
11. MODE Button
12. Power Switch Button
13. DC Port
14. Battery Compartment

## What's Inside of LP400R



Light Body  
(With yoke) × 1



Adapter  
× 1



Power  
Cord × 1



Four-way  
Barndoor × 1



Carry Bag  
× 1



Instruction  
Manual × 1

## What's Inside of LP400R K2



Light Body  
(With yoke) × 2



Adapter  
× 2



Power  
Cord × 2



Four-way  
Barndoor × 2



Light Stand  
× 2



Carry Bag  
× 1



Instruction  
Manual × 1

## What's Inside of LP400R K3



Light Body  
(With yoke) × 3



Adapter  
× 3



Power  
Cord × 3



Four-way  
Barndoor × 3



Light Stand  
× 3



Carry Bag  
× 1



Instruction  
Manual × 1

## What's Inside of LP600R



Light Body  
(With yoke) × 1



Adapter  
× 1



Power  
Cord × 1



Four-way  
Barndoor × 1



Carry Bag  
× 1



Instruction  
Manual × 1

## What's Inside of LP600R K2



Light Body  
(With yoke) × 2



Adapter  
× 2



Power  
Cord × 2



Four-way  
Barndoor × 2



Light Stand  
× 2



Carry Bag  
× 1



Instruction  
Manual × 1

## What's Inside of LP600R K3



Light Body  
(With yoke) × 3



Adapter  
× 3



Power  
Cord × 3



Four-way  
Barndoor × 3



Light Stand  
× 3



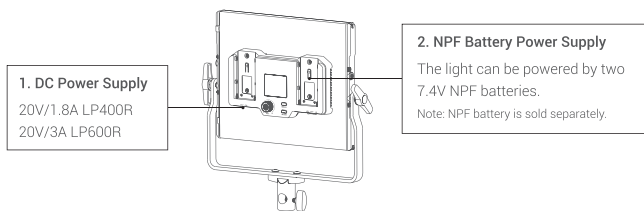
Carry Bag  
× 1



Instruction  
Manual × 1

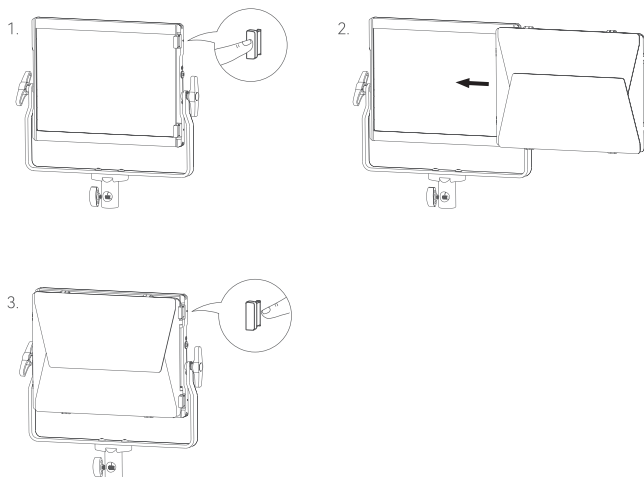


## Power Supply





## Installing Barndoor

Press the lock/release pusher, slide in the closed barndoor from the side rails, then push the lock/release pusher in the front direction to complete the installation.

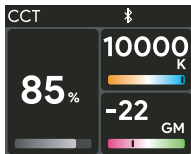


## Power Switch

1. After inserting two NPF batteries, toggle the power switch button to <  > to turn on the device.
2. When connected to the DC power source by adapter, toggle the power switch button to <  > to turn on the device.
3. Regardless of the power supply mode, toggle the power switch to < **OFF** > to turn off the device.

## Brightness Adjustment

In CCT/HSI/RGB/GEL/FX mode, press and rotate the SET button/select dial to adjust brightness from 0%-100%. Rotate clockwise to increase the brightness by 1 unit while rotate anticlockwise to decrease the brightness by 1 unit, quick adjustment is also available by quick rotation.

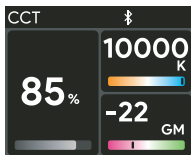


## Mode Selection

Press the mode button to enter mode selection, rotate the SET button/select dial to the desired mode and press it to enter the mode setting interface.

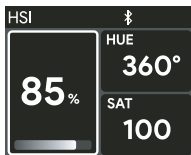
### 1. CCT Mode

In the CCT mode, press and rotate the SET button/select dial can adjust the color temperature from 1800K to 10000K, and the GM value from -50 to +50.



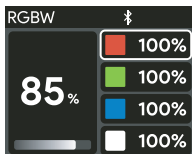
### 2. HSI Mode

In the HSI mode, press and rotate the SET button/select dial can adjust the HUE from 0° to 360°, and the SAT (saturation) from 0 to 100.



### 3. RGBW Mode

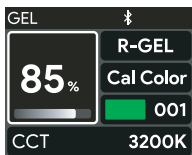
In the RGBW mode, press and rotate the SET button/select dial can adjust the red/green/blue/white from 0% to 100%.



### 4. GEL Mode

In the GEL mode, press and rotate the SET button/select dial can adjust the gel type, gel group type, gel No., and CCT (from 3200K to 5600K).

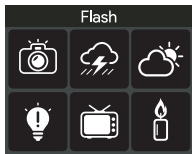
Note: More gel types are available in "Godox light" app.



### 5. FX Mode

In the FX mode, press and rotate the SET button/select dial can select among the 14 FX modes, then press and rotate the SET button/select dial in a certain FX mode interface can adjust its parameters.

Note: More settings are available in "Godox light" app.



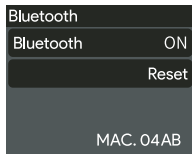
No.	FX Icons	FX Modes	Parameters	Adjustment Options
1		Flash	Mode	CCT/HSI
			CCT	1800K-10000K
			HUE	0°-360°
			Speed	1-100
2		Lightning	Freq	Random/1-20
			CCT	1800K-10000K
			Times	Random/1-10
3		Cloudy	Ratio	30%-90%
			Speed	Random/1-100
4		Broken Bulb	Mode	CCT/HSI
			CCT	1800K-10000K
			HUE	0°-360°
			Speed	1-100
5		TV	Mode	CCT/HSI
			Speed	1-100
6		Candle	Speed	1-100
7		Fire	Speed	1-100
8		Firework	Speed	1-100
			Embers	1-100
9		Explosion	Mode	CCT/HSI
			CCT	1800K-10000K
			HUE	0°-360°
			Speed	1-100
			Embers	1-100
10		Welding	Mode	CCT/HSI
			CCT	1800K-10000K
			HUE	0°-360°
			Speed	1-100
11		Police Car	Color	Red+Blue, Red, Blue, Yellow, Blue +White, Blue + Yellow, Blue + White, Red + Yellow + Blue
			Mode	1/2/3/4/5
12	SOS	SOS	Mode	CCT/HSI
			CCT	1800K-10000K
			HUE	0°-360°
13		RGB Cycle	Speed	1-100
			SAT	0-100
14		Party	Speed	1-100
			SAT	0-100

## Menu Settings

Press the menu button to enter the menu interface, rotate and press the SET button/select dial to enter the following setting options and adjust their parameters.

### 1. Bluetooth

Rotate and press the SET button/select dial to enter Bluetooth interface, rotate it to select between Bluetooth switch (on/off) and reset, while the Bluetooth MAC code is on the right corner for convenient check.



### Bluetooth Reset

Rotate and press the SET button/select dial to enter reset, then rotate it to the left or right, the "RESET" progress bar will display, the progress bar is full means Bluetooth is resetting.



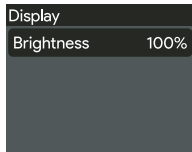
### 2. Language

Rotate and press the SET button/select dial to enter language interface, rotate it to select between English and simplified Chinese.



### 3. Display

Rotate and press the SET button/select dial to enter display interface, rotate it to adjust the screen brightness from 10% to 100%.



#### 4. Upgrade

Rotate and press the SET button/select dial to enter upgrade interface, on which you can check upgrade steps.

Upgrade from the app interface after the fixture and phone are connected via Bluetooth

#### 5. Factory Reset

Rotate and press the SET button/select dial to enter factory reset interface, rotate it to select confirm or cancel. The device will automatically reset and reboot if you choose confirm, then the brightness will turn to 100% and turn to CCT mode automatically.

Note: The brightness value of the factory setting is high, please operate with caution, pay attention to high temperature and high brightness, avoid looking directly at and touching the light-emitting surface.

#### Factory Reset

Confirm

Cancel

#### 6. Fixture Info

Rotate and press the SET button/select dial to enter fixture info, on which you can check model, firmware version, certification and light head temperature.

#### Fixture Info

Model: LP600R

Firmware Ver: V0.3

Certification: CE

Temperature: 25

## "Godox Light" APP Downloading

Scan the QR code to download "Godox Light" app (both Android and iOS systems are available).

Note:

1. The app can be used directly on the firstly installed device (smartphone or tablet). When changing to other mobile device, the light shall be reset before the normal usage of app.
2. The app should be V3.0 or above.



## Maintenance

This product, except consumables, is supported with a one-year warranty.

Unauthorized service will void the warranty.

Maintenance of the light must be performed by our authorized maintenance department which can provide original accessories.

If the product had failures or was wetted, do not use it until it is repaired by professionals.

Shut down the device immediately should abnormal operation be detected.

Changes made to the specifications or designs may not be reflected in this manual.

## Illuminance Data LP400R

CCT	Condition	Unit	0.5m	1m	2m
1800K	With Diffuser	lux	≈2890	≈742	≈183
		fc	≈269	≈69	≈17
2800K		lux	≈5330	≈1380	≈348
		fc	≈495	≈128	≈32
3200K		lux	≈5720	≈1460	≈369
		fc	≈531	≈136	≈34
4300K		lux	≈5820	≈1540	≈396
		fc	≈536	≈143	≈37
5600K		lux	≈6480	≈1670	≈420
		fc	≈602	≈156	≈39
6500K		lux	≈6430	≈1640	≈416
		fc	≈597	≈152	≈39
8500K	lux	≈6210	≈1610	≈407	
	fc	≈577	≈149	≈38	
10000K	lux	≈5880	≈1520	≈385	
	fc	546	≈141	≈36	
R	lux	≈1510	≈368	≈89	
	fc	≈140	≈34	≈8	
G	lux	≈3490	≈900	≈227	
	fc	≈324	≈84	≈21	
B	lux	≈879	≈228	≈58	
	fc	≈80	≈21	≈5	

The above data are average values instead of absolute values, and the above tests are conducted on the condition of 100% brightness.

## Illuminance Data LP600R

CCT	Condition	Unit	0.5m	1m	2m
1800K	With Diffuser	lux	≈5500	≈1410	≈362
		fc	≈511	≈131	≈34
2800K		lux	≈7260	≈1900	≈474
		fc	≈674	≈176	≈44
3200K		lux	≈8610	≈2260	≈564
		fc	≈800	≈210	≈52
4300K		lux	≈9240	≈2420	≈609
		fc	≈858	≈224	≈57
5600K		lux	≈9270	≈2430	≈607
		fc	≈861	≈225	≈56
6500K		lux	≈7980	≈2090	≈520
		fc	≈742	≈194	≈48
8500K	lux	≈7710	≈2010	≈505	
	fc	≈716	≈187	≈47	
10000K	lux	≈7960	≈2090	≈525	
	fc	≈740	≈194	≈49	
R	lux	≈1750	≈451	≈108	
	fc	≈162	≈42	≈10	
G	lux	≈4000	≈1080	≈269	
	fc	≈371	≈100	≈25	
B	lux	≈1020	≈272	≈69	
	fc	≈95	≈25	≈6	

The above data are average values instead of absolute values, and the above tests are conducted on the condition of 100% brightness.



## Technical Data

Model	LP400R	LP600R
Input Power	36W	60W
Power Supply	20V ■ 1.8A	20V ■ 3A
CCT	1800K-10000K	
GM Adjust	0%-100%	
CRI	Average≥96	
TLCI	Average≥96	
FX Modes	14	
Bluetooth Control Distance	≥15 Meters	
Working Environment Temperature	-10°C-35°C	
Controlling Methods	Bluetooth APP control/Light body control	
Dimension	229*201*69.5mm	264*201*69.5mm
Net Weight	855g	985g

Specifications and data may subject to changes without notice.

## FCC Statement

This device complies with part 15 of the FCC Rules. Operation is subject to the following two conditions:

- (1) This device may not cause harmful interference, and
- (2) this device must accept any interference received, including interference that may cause undesired operation.

Any Changes or modifications not expressly approved by the party responsible for compliance could void the user's authority to operate the equipment.

Note: This equipment has been tested and found to comply with the limits for a Class B digital device, pursuant to part 15 of the FCC Rules. These limits are designed to provide reasonable protection against harmful interference in a residential installation.

This equipment generates uses and can radiate radio frequency energy and, if not installed and used in accordance with the instructions, may cause harmful interference to radio communications. However, there is no guarantee that interference will not occur in a particular installation. If this equipment does cause harmful interference to radio or television reception, which can be determined by turning the equipment off and on, the user is encouraged to try to correct the interference by one or more of the following measures:

- Reorient or relocate the receiving antenna.
- Increase the separation between the equipment and receiver.
- Connect the equipment into an outlet on a circuit different from that to which the receiver is connected.
- Consult the dealer or an experienced radio/TV technician for help.

The device has been evaluated to meet general RF exposure requirement.  
The device can be used in portable exposure condition without restriction.

## Warning

Operating frequency:2402MHz – 2480MHz (BT)  
Maximum EIRP Power: 8.5dBm

## Declaration of Conformity

GODOX Photo Equipment Co.,Ltd. hereby declares that this equipment are in compliance with the essential requirements and other relevant provisions of Directive 2014/53/EU. In accordance with Article 10(2) and Article 10(10), this product is allowed to be used in all EU member states.For more information of DoC, Please click this web link:

<https://www.godox.com/eu-declaration-of-conformity/>

The device complies with RF specifications when the device used at 0mm from your body.

## 产品保修

尊敬的用户，本保修卡是申请保修服务的重要凭证，请您配合销售商填写并妥善保管，谢谢！

产品信息	型号	产品条码
用户信息	姓名	联系电话
	通信地址	
销售商信息	名称	
	联系电话	
	通信地址	
	销售日期	
备注		

注：此表应由销售商盖章确认。

### 产品信息

本文件适用于相关《产品保修信息》(见后面说明)所列产品,其他非属此范围的产品或部件(如促销品、赠品及其他出厂后附加的部件等)不在此保修承诺内。

### 保修期

产品及部件的相应保修期按相关的《产品保修信息》执行。保修期自产品首次购买日起算，购买日以购买产品时保修卡登记日期为准。

### 如何获得保修服务

您可直接与产品销售商或授权服务机构联系，也可拨打神牛产品售后服务电话，与我们联系，由我们的服务人员为您安排服务。申请保修时，您应提供有效的保修卡作为保修凭证，方可获得保修。如您不能提供有效的保修卡，则在我们确认产品或部件属于保修范围的情况下，也可以为您提供保修，但这不作为我们的义务。

## 不适用保修情况

如产品存在下列情况，本文件项下的保证和服务将不适用：①产品或部件超过相应保修期；②错误或不适当使用、维护或保管导致的故障或损坏，如：不当搬运；非按产品合理预期用途使用；不当插拔外接设备；跌落或外力挤压；接触或暴露于不适当温度、溶剂、酸碱、水浸或潮湿环境；③由非神牛授权机构或人员安装、修理、更改、添加或拆卸造成的故障或损坏；④产品或部件原有识别信息被修改变更或删除；⑤无有效保修卡；⑥使用非合法授权、非标准或非公开发行的软件造成的故障或损坏；⑦因不可抗力或意外事件造成的故障或损坏；⑧其他非因产品本身质量问题导致的故障或损坏。遇上述情况，您应向相关责任方寻求解决，神牛对此不承担任何责任。因非在保修期或保修范围内的部件、附件或软件导致产品不能正常使用的，不是保修范围内的故障。产品使用过程中正常的脱色、磨损和消耗，不是保修范围内的故障。

## 产品保修和服务支持信息

产品的保修期和服务类型按以下《产品保修信息》执行：

产品类别	选件名称	保修期（月）	保修服务类型
部件	电路板	12	客户送修
	电池	3	客户送修
	充电器等带电性能的部件。	12	客户送修
其他	如外壳、保护罩、锁紧装置、包装等。	无	无保修

神牛产品售后服务电话 0755-29609320-8062

## Warranty

Dear customers, as this warranty card is an important certificate to apply for our maintenance service, please fill in the following form in coordination with the seller and safe-keep it. Thank you!

Product Information	Model	Product Code Number
Customer Information	Name	Contact Number
	Address	
Seller Information	Name	
	Contact Number	
	Address	
	Date of Sale	
Note		

Note: This form shall be sealed by the seller.

### Applicable Products

Applicable ProductsThe document applies to the products listed on the Product Maintenance Information (see below for further information). Other products or accessories (e.g. promotional items,giveaways and additional accessories attached,etc.) are not included in this warranty scope.

### Warranty Period

The warranty period of products and accessories isimplemented according to the relevant Product Maintenance Information. The warranty period is calculated from the day(purchase date) when the product is bought for the first time,And the purchase date is considered as the date registered onthe warranty card when buying the product.

### How to Get the Maintenance Service

If maintenance service is needed, you can directly contact the product distributor or authorized service institutions. You can also contact the Godox after-sale service call and we will offer you service. When applying for maintenance service, you should provide valid warranty card. If you cannot provide valid warranty card, we may offer you maintenance service once confirmed that the product or accessory is involved in the maintenance scope, but that shall not be considered as our obligation.

## Inapplicable Cases

The guarantee and service offered by this document are not applicable in the following cases:

- ① The product or accessory has expired its warranty period;
- ② Breakage or damage caused by inappropriate usage, maintenance or preservation, such as improper packing, improper usage, improper plugging in/out external equipment, falling off or squeezing by external force, contacting or exposing to the improper temperature, solvent, acid, base, flooding and damp environments, etc;
- ③ Breakage or damage caused by non-authorized institution or staff in the process of installation, maintenance, alternation, addition and detachment;
- ④ The original identifying information of product or accessory is modified, alternated, or removed;
- ⑤ No valid warranty card;
- ⑥ Breakage or damage caused by using illegally authorized, nonstandard or non-public released software;
- ⑦ Breakage or damage caused by force majeure or accident;
- ⑧ Breakage or damage that could not be attributed to the product itself. Once met these situations above, you should seek solutions from the related responsible parties and Godox assumes no responsibility. The damage caused by parts, accessories and software that beyond the warranty period or scope is not included in our maintenance scope. The normal discoloration, abrasion and consumption are not the breakage within the maintenance scope.

## Maintenance and Service Support Information

The warranty period and service types of products are implemented according to the following Product Maintenance Information:

Product Type	Name	Maintenance Period(month)	Warranty Service Type
Parts	Circuit board	12	Customer sends the product to designated site
	Battery	3	Customer sends the product to designated site
	Electrical parts e.g.battery charger, etc.	3	Customer sends the product to designated site
Other Items	Lamp body, lamp cover, locking device, package, etc.	No	Without warranty

Godox After-sale Service Call +86-755-29609320(8062)