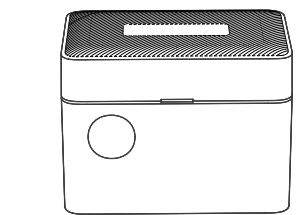


Godox



ML II-C4

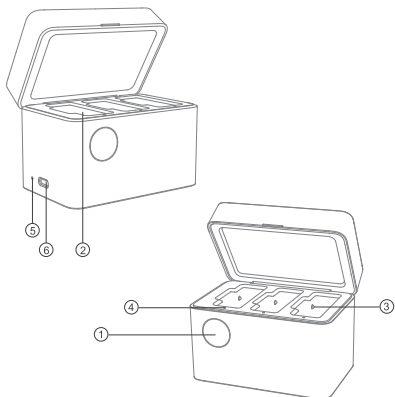
Movelink II 无线麦克风系统电池充电盒
MoveLink II Smart Charging Case

使用手册
Instruction Manual

警告

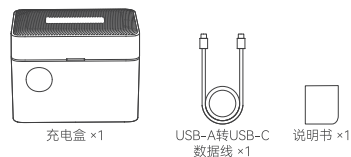
- 请勿私自拆卸、改装或尝试维修本产品。产品如出现故障须由本公司或授权的维修人员进行检查维修。
- 请保持干燥，请勿用湿手握持本产品，亦不可将产品浸入水中或暴露于雨中。
- 请勿将本产品存放在阳光直射的地方、加热装置附近或者炎热、潮湿或多尘的地方。
- 请勿让儿童接触本产品，以避免发生意外。
- 请勿在易燃易爆环境中使用。在这些场合下，请注意相关警告标识。
- 请勿放置在超过50度的高温环境中。
- 请仔细阅读并遵守由厂商提供的警告或指示。
- 如果电池更换不当会有爆炸危险，只能用同样类型或等效类型的电池来更换，仅维修人员可更换，非一般人员更换。
- 电池不得暴露在诸如日照，火烤或类似过热环境中。
- 消费者若使用电源适配器充电，则应购买配套使用获得CCC认证并满足标准要求的电源适配器。

部件名称



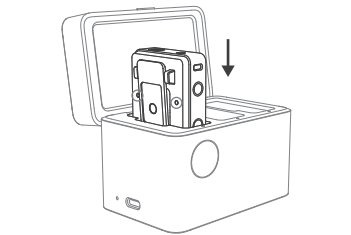
1. 充电盒电量显示屏
2. 充电仓
3. 充电触点
4. 充电指示灯
5. 复位孔
6. USB-C接口

标配清单



温馨提示：说明书中的图片均为示意图，仅供参考。由于产品不断更新与升级，产品实物与图片可能存在差异，请以实物为准。

充电图示



- ① 请将发射器/接收器的充电触点对准充电仓的充电触点方向向下插入后可为其充电。
- ② 通过适配器连接USB-C数据线可以给充电盒进行充电。
- ③ 为确保发射器/接收器能正常充满电，请务必先关机再放回充电仓中充电。开机充电时发射器与接收器可能保持配对工作状态，而导致无法充满电。

显示屏数字递增式闪烁	充电盒充电中
显示屏 100 常亮	充电盒已充满
显示屏 00 常亮	充电盒低电量
充电指示灯绿灯闪烁	充电仓内发射器/接收器充电中
充电指示灯绿灯熄灭	充电仓内发射器/接收器已充满

重要补充说明

1. 开盖后充电盒显示屏显示对应电量，关闭盖子后，5S后显示屏熄灭。
2. 倘发射器/接收器放入充电盒内不充电，请检查其充电触点是否与充电仓充电触点完全接触，建议尝试拿出发射器/接收器重新放入充电仓内直至指示灯闪烁。
3. 充电盒自身充满电大约需要2小时，充满后约能给MoveLink II一拖二套装充电3次，为三台设备充满电大约需1小时30分钟。

4. 充电仓内发射器/接收器充满电后，取出后立即放回位置充电指示灯会重新闪烁，此为发射器/接收器与充电盒之间进行再次检测是否充满，属正常现象。
5. 充电盒有过流保护、过压保护及过温保护，请在-5°C~+50°C的环境下使用。
6. 建议使用手机原装适配器或者第三方品牌适配器和数据线给本产品充电。因锂电池自身有待机功耗，为保障正常使用，请定期3个月左右为本产品进行一次充电。

规格参数

名称	Movelink II 无线麦克风系统电池充电盒
型号	ML II-C4
锂电池参数	3.7V, 3500mAh, 12.95Wh
USB-C 输入	5V $\overline{\text{---}}$ 2A
自身充电时间	约 2 小时
工作环境温度	-5~50 °C
尺寸	≈ 90mm x 69mm x 58mm
净重	≈ 227g

规格参数如有变更，恕不另行通知。

维护保养

避免跌落：如果受到强烈碰撞或振动，设备可能会发生故障。

保持干燥：本产品是非防水产品，如果将其浸入水中或放置于高湿度的环境中将可能发生故障。内部构造生锈可能会导致无法修理的损害。

避免温度骤变：温度的突变，诸如在寒冷天进出温暖的大楼将可能会使产品内部结露。为避免结露，请将本产品事先装入手提袋或塑料包内，以防温度突变。

远离强磁场：无线电广播发射机等设备产生的强静电或强磁场可能会干扰本产品正常工作。

如有技术更改，恕不另行通知。

产品保修

尊敬的用户，本保修卡是申请保修服务的重要凭证，请您配合销售商填写并妥善保管，谢谢！

产品信息	型号	产品条码
	姓名	联系电话
用户信息	通信地址	
销售商信息	名称	
	联系电话	
	通信地址	
	销售日期	
备注		

注：此表应由销售商盖章确认。

产品信息

本文件适用于相关《产品保修信息》(见后面说明)所列产品，其他非属此范围的产品或部件(如促销品、赠品及其他出厂后附加的部件等)不在此保修承诺内。

保修期

产品及部件的相应保修期按相关的《产品保修信息》执行。保修期自产品首次购买日起算，购买日以购买产品时保修卡登记日期为准。

如何获得保修服务

要保修服务，您可直接与产品销售商或授权服务机构联系，也可拨打神牛产品服务电话，与我们联系，由我们的服务人员为您安排服务。申请保修时，您应提供有效的保修卡作为保修凭证，方可获得保修。如您不能提供有效的保修卡，则在我们可确认产品或部件属于保修范围的情况下，也可以为您提供保修，但这不作为我们的义务。

不适用保修的情况

如产品存在下列情况，本文件项下的保证和服务将不适用 ① 产品或部件超过相应保修期；② 错误或不当使用、维护或保管导致的故障或损坏，如：不当搬运；非按产品合理预期用途使用；不当插拔外接设备；跌落或外力挤压；接触或暴露于不当温度、溶剂、酸碱、水浸或潮湿环境；③ 由非神牛授权机构或人员安装、修理、更改、添加或拆卸造成的故障或损坏；④ 产品或部件原有识别信息被修改或删除；⑤ 无有效保修卡；⑥ 使用非合法授权、非标准或非公开发行的软件造成的故障或损坏；⑦ 因不可抗力或意外事件造成的故障或损坏；⑧ 其他非因产品本身质量问题导致的故障或损坏。遇上述情况，您应向相关责任方寻求解决，神牛对此不承担任何责任。因非在保修期或保修范围内的部件、附件或软件导致产品不能正常使用的，不是保修范围内的故障。产品使用过程中正常的脱色，磨损和消耗，不是保修范围内的故障。

产品保修和服务支持信息

产品的保修期和服务类型按以下《产品保修信息》执行：

产品类别	选件名称	保修期(月)	保修服务类型
部件	电路板	12	客户送修
	电池	3	客户送修
	充电器等带电性能的部件	12	客户送修
其他	如电池盒、防风棉、防风毛罩、锁紧装置、手提绳、扎带、魔术贴、领夹、便携袋、包装等	无	无保修

神牛产品服务电话 0755-29609320-8062

合格证
QC PASS



Godox Audio Wechat
Official Account
神牛影音微信公众号



Overseas Official
Accounts & Updates
海外社媒平台及资讯

深圳市神牛摄影器材有限公司
地址：深圳市宝安区福海街道塘尾社区耀川工业区厂房2栋
电话：0755-29609320(8062) 传真：0755-25723423
邮箱：godox@godox.com

GODOX Photo Equipment Co., Ltd.
Add.: Building 2,Yaochuan Industrial Zone, Tangwei Community, Fuhai Street,
Bao'an District, Shenzhen 518103, China Tel: +86-755-29609320(8062)
Fax: +86-755-25723423 E-mail: godox@godox.com

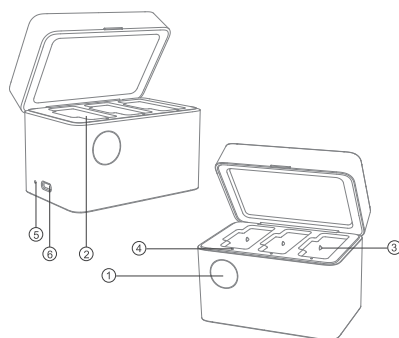
www.godox.com
Made in China T 705-ML2C40-01



Warning

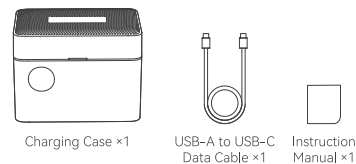
- Do not disassemble. Should repairs become necessary, this product must be sent to our Company or an authorized maintenance center.
- Always keep this product dry. Do not use in rain or damp conditions.
- Do not leave or store this product in the environment of direct sunlight, near heating devices, or in hot, humid or dusty.
- Keep out of reach of children.
- Do not use in flammable and explosive environments. Pay attention to the relevant warning signs.
- Do not leave or store the product if the ambient temperature reads over 50°C.
- Please read carefully and follow the warnings or instructions provided by the manufacturer.

Names of Parts



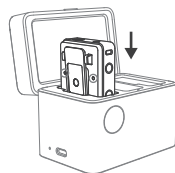
1. Battery Level Display of Charging Case
2. Charging Compartment
3. Charging Point
4. Charging Indicator
5. Reset Hole
6. USB-C Port

What's Inside



Note: Due to continuous updates and upgrades of the products, there may be differences between the actual products and the pictures. Therefore, the pictures are for reference only, products to prevail in kind.

Charging Instructions



- ① Please aim the charging points of the transmitter/receiver at the charging points of the charging compartment, then insert in to get it properly charged.

- ② Connect the charging case to the power source via USB-C port and adapter can charge the charging case.
- ③ In order to get the transmitter/receiver fully charged, make sure to power it off before putting into the charging compartment to charge. The transmitter and receiver may be paired and keep working when charged in power on status, making them difficult to be fully charged.

Digital display flashes incrementally	Charging case is charging
Digital display is constant on with 100	Charging case is fully charged
Digital display is constant on with 00	Charging case is low battery level
Charging indicator flashes green	Transmitter/Receiver in the charging compartment is charging
Charging indicator is off	Transmitter/Receiver in the charging compartment is fully charged

Supplemental Notes

1. The battery level display will show the remaining battery level when the lid is opened, and will turn off after 5s when the lid is closed.
2. If the transmitter/receiver can not be charged after inserted into the charging case, please check whether its charging points have fully contacted with those of charging compartment. If not, please take out and insert it again until the charging
3. It takes about 2 hours to fully charge the charging case itself, it can charge three devices of MoveLink II for about 3 times after fully charged, and it takes about 1 hour and 30 minutes to fully charge the three devices.
4. Take out the transmitter/receiver after fully charged then insert it back immediately, the charging indicator will still flash. This is normal for the charging case to re-test whether the transmitter/receiver is fully charged.
5. The charging case has over-current protection, over-voltage protection and over-temperature protection, please use it in the environment of -5°C~+50°C.
6. It is recommended to use the original mobile phone adapter or third-party brand adapter and data cable to charge the charging case. Due to the standby power consumption of the lithium battery, please charge the charging case regularly about every 3 months to ensure normal use.

Technical Data

Product Name	MoveLink II Smart Charging Case
Model	ML II-C4
Lithium Battery Parameters	3.7V, 3500mAh, 12.95Wh
USB-C Input	5V --- 2A
Self-Charging Time	Approx. 2h
Working Environment Temperature	-5~50°C
Dimension	≈ 3.54" x 2.72" x 2.28"
Net Weight	≈ 227g

Specifications and data may subject to changes without notice.

Maintenance

Avoid falling. Strong collision or vibration may malfunction the device.
Keep dry. This product is not water-proof. Malfunction, rust, and corrosion may occur and go beyond repair if soaked in water or exposed to high humidity.
Avoid sudden temperature changes. Condensation happens in sudden temperature changes such as the circumstance when taking the product out of a building with higher temperature to outside in winter. Please put the product in a handbag or plastic bag beforehand.
Keep away from strong magnetic field. The strong static or magnetic field produced by devices such as radio transmitters leads to malfunction. Specifications and data may subject to changes without notice.

FCC Statement

This device complies with part 15 of the FCC Rules. Operation is subject to the following two conditions:
 (1) This device may not cause harmful interference, and
 (2) this device must accept any interference received, including interference that may cause undesired operation.
 Any Changes or modifications not expressly approved by the party responsible for compliance could void the user's authority to operate the equipment.
 Note: This equipment has been tested and found to comply with the limits for a Class B digital device, pursuant to part 15 of the FCC Rules. These limits are designed to provide reasonable protection against harmful interference in a residential installation. This equipment generates uses and can radiate radio frequency energy and, if not installed and used in accordance with the instructions, may cause harmful interference to radio communications. However, there is no guarantee that interference will not occur in a particular installation. If this equipment does cause harmful interference to radio or television reception, which can be determined by turning the equipment off and on, the user is encouraged to try to correct the interference by one or more of the following measures:
 -Reorient or relocate the receiving antenna.
 -Increase the separation between the equipment and receiver.
 -Connect the equipment into an outlet on a circuit different from that to which the receiver is connected.
 -Consult the dealer or an experienced radio/TV technician for help.

Declaration of Conformity

GODOX Photo Equipment Co., Ltd. hereby declares that this equipment are in compliance with the essential requirements and other relevant provisions of Directive 2014/35/EU, 2014/30/EU. They are allowed to be used in all EU member states. For more information of DoC, Please click this web link:

<https://www.godox.com/eu-declaration-of-conformity>

Warranty

Dear customers, as this warranty card is an important certificate to apply for our maintenance service, please fill in the following form in coordination with the seller and safe-keep it. Thank you!

Product Information	Model	Product Code Number
Customer Information	Name	Contact Number
	Address	
Seller Information	Name	
	Contact Number	
	Address	
	Date of Sale	
Note		

Note: This form shall be sealed by the seller.

Applicable Products

The document applies to the products listed on the Product Maintenance Information (see below for further information). Other products or accessories (e.g. promotional items, giveaways and additional accessories attached, etc.) are not included in this warranty scope.

Warranty Period

The warranty period of products and accessories is implemented according to the relevant Product Maintenance Information. The warranty period is calculated from the day (purchase date) when the product is bought for the first time, and the purchase date is considered as the date registered on the warranty card when buying the product.

How to Get the Maintenance Service

If maintenance service is needed, you can directly contact the product distributor or authorized service institutions. You can also contact the Godox after-sale service call and we will offer you service. When applying for maintenance service, you should provide valid warranty card. If you cannot provide valid warranty card, we may offer you maintenance service once confirmed that the product or accessory is involved in the maintenance scope, but that shall not be considered as our obligation.

Inapplicable Cases

The guarantee and service offered by this document are not applicable in the following cases: ①. The product or accessory has expired its warranty period; ②. Breakage or damage caused by inappropriate usage, maintenance or preservation, such as improper packing, improper usage, improper plugging in/out external equipment, falling off or squeezing by external force, contacting or exposing to the improper temperature, solvent, acid, base, flooding and damp environments, etc; ③. Breakage or damage caused by

Inapplicable Cases

non-authorized institution or staff in the process of installation, maintenance, alternation, addition and detachment; ④. The original identifying information of product or accessory is modified, alternated, or removed; ⑤. No valid warranty card; ⑥. Breakage or damage caused by using illegally authorized, nonstandard or non-public released software; ⑦. Breakage or damage caused by force majeure or accident; ⑧. Breakage or damage that could not be attributed to the product itself. Once met these situations above, you should seek solutions from the related responsible parties and Godox assumes no responsibility. The damage caused by parts, accessories and software that beyond the warranty period or scope is not included in our maintenance scope. The normal discoloration, abrasion and consumption are not the breakage within the maintenance scope.

Maintenance and Service Support Information

The warranty period and service types of products are implemented according to the following Product Maintenance Information:

Product Type	Name	Maintenance Period(month)	Warranty Service Type
Parts	Product Main Body	12	Customer sends the product to designated site
	Battery	3	Customer sends the product to designated site
	Charger, Electrical Parts etc.	12	Customer sends the product to designated site
Other Items	Battery Case, Windscreen, Foam, Wind Cap, Locking Device, Lanyard, Tie, Velcro Tape, Clip, Bag, Package etc.	No	Without warranty

Godox After-sale Service Call 0755-29609320-8062

料号 705-ML2C40-01

项目 ML II-C4

成品尺寸 按图纸

公差 $\pm 0.5\text{mm}$

材质 105g 哑粉纸 折页
双色印刷

工艺

颜色要求

其他

设计师 胡宾 包装结构 江叶群

文案 伍青蕾 项目产品 王震

重要: PDF 文件仅供预览, 实际印刷请使用 AI 转曲文档
(或 Cdr 转曲文档)

■ 刀模线 > 标示线刀模线
■ 标示线 > 请勿印刷!

印刷要求:

色相正确、印迹牢固、套印准确、各色套印不靠杂色,
套印误差 $\leq 1\text{mm}$, 模切走位 $\leq \pm 1\text{mm}$