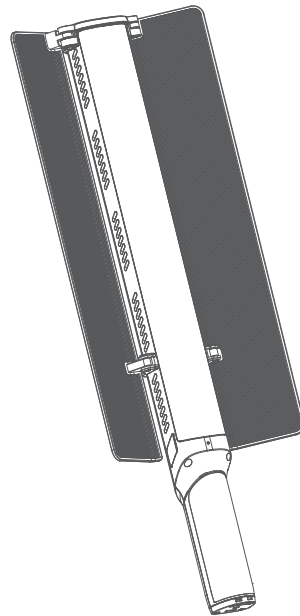


合格证
QC PASS

Godox



Wechat
Official Account
神牛微信公众号

深圳市神牛摄影器材有限公司

地址: 深圳市宝安区福海街道塘尾社区耀川工业区厂房2栋

电话: 0755-29609320(8062) 传真: 0755-25723423 邮箱: godox@godox.com

GODOX Photo Equipment Co.,Ltd.

Add.: Building 2, Yaochuan Industrial Zone, Tangwei Community, Fuhai Street, Bao'an District, Shenzhen
518103, China Tel: +86-755-29609320(8062) Fax: +86-755-25723423 E-mail: godox@godox.com

www.godox.com

Made in China | 705-LC100R-01



LC1000 R

RGB LED 棒灯
RGB LED Light Stick

使用手册
Instruction Manual

重要的安全说明及注意事项

首先作为最基本原则：本产品为专业灯光布景设备，应由专业灯光师使用或在专业人士指导下使用。使用时必须始终遵循基本的安全预防措施，具体安全预防措施如下：

1. 使用前必须阅读并理解产品说明书。
2. 专业灯具，禁止儿童使用。当儿童靠近时，家长或监护人必须密切监督，以免儿童因碰撞灯具或私用灯具造成人身伤害。
3. 本灯具并非普通照明灯具，不可用于普通照明，任何有过眼部损伤或眼部敏感的人群均应避免使用本灯具。
4. 灯具点亮时，必须小心使用，禁止接触高温部件，如LED灯珠，以免造成灼伤。
5. 灯具点亮时，任何情况下均禁止直视灯珠。应该在专业灯光师指导下使用强光，任何情况下避免长时间处于强光环境，如引起眼睛不适，请及时关闭灯具，暂停使用，请及时就医。
6. 倘灯具损坏或因热变形，应停止使用，并及时联系商家、服务代理商或合格的维修人员更换灯珠，以免发生意外。
7. 本产品仅适用于-10~40℃工作环境温度及正常湿度环境下使用。
8. 请勿使用损坏的设备或设备配件，待专业维修人员检查维修，确认设备正常方可使用。在使用过程中，如果本产品由于跌落、受到挤压或遭受强烈冲击而造成外壳破裂的，请勿继续使用，以免因接触到内部电子元件而受到电击伤害。
9. 本设备没有防水性能，请让设备保持干燥，请勿将本设备浸入水中或其他液体中。设备需安装在干燥且通风处，避免在雨天、潮湿、多尘或过热环境下使用。请勿将任何物体置于灯具上或使液体流入灯具内部，以免发生意外。
10. 请勿私自拆卸产品，如产品出现故障，须由本公司或授权的维修人员进行检查维修。
11. 请勿将设备放置在酒精、汽油等易燃挥发的溶剂附近。
12. 本厂不推荐的产品附件，请勿使用，以免导致火灾、触电或人身伤害。
13. 清洁本设备时，请勿用湿布擦拭，请用干布，软布擦拭设备污垢。
14. 本产品已通过ROHS, CE和FCC认证，请参考相关国家标准使用和操作。
15. 安全说明依据本厂严格测试制定，设备设计和规格如有变更，恕不另行通知。客户可以上神牛官网查看最新的电子版说明，了解产品最新资讯。
16. 产品内置锂电池，请使用专用的充电器进行充电，并且按正确的操作说明，在规定的电压、温度范围内使用。
17. 一年保修期，消耗品电池、适配器、电源线等配件不在此保修范围内。
18. 经发现，擅自检修设备，将取消一年保修期，维修需要收取相关费用。
19. 对于不规范操作引起的机器故障不在保修范围内。

前言

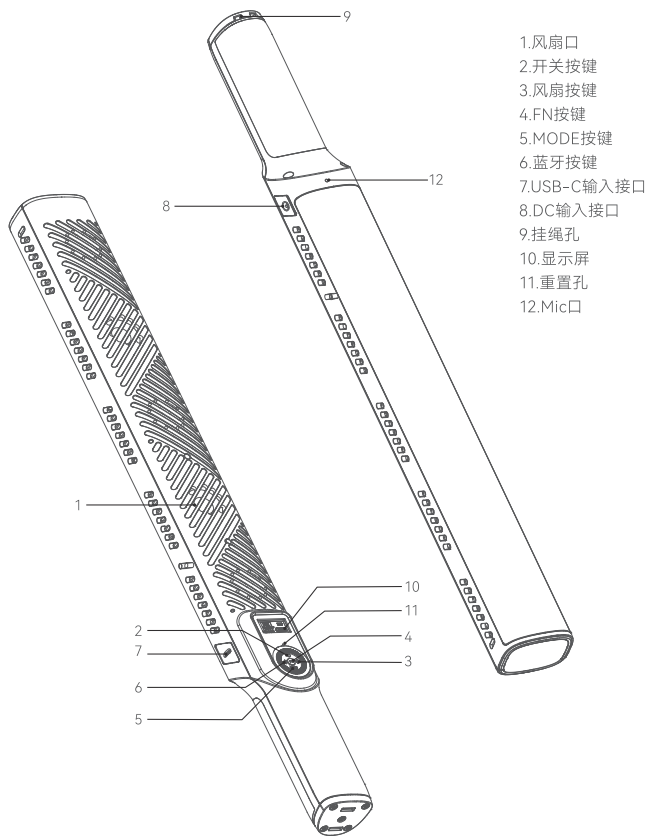
感谢您购买神牛产品。

神牛全新推出大功率RGB LED棒灯LC1000 R，手柄底部设有1/4"螺丝口，兼容市面上绝大多数的三脚架；支持DC口/USB-C口充电，充电灵活性强；内置大容量锂电池，移动性能强；支持通过蓝牙连接“Godox Light”App，远程无线控制灯具，轻松切换至双色温模式/HSI彩光模式/RGB模式/FX场景光效模式等模式；常适用于人像拍摄、自拍补光、直播补光、创意拍摄、视频录制等场景。

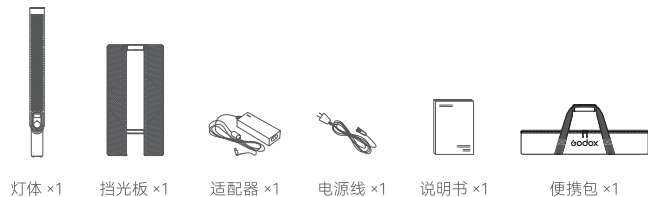
警告

- ▲ 请保持干燥：请勿用湿手接触产品，亦不可将产品浸入水中或暴露于雨中。
- ▲ 请勿私自拆卸产品，如产品出现故障须由本公司或授权的维修人员进行检查维修。
- ▲ 请勿让儿童接触本产品。

部件名称



物料清单



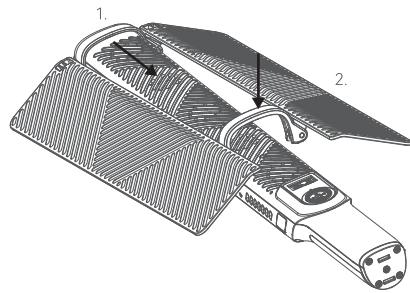
温馨提示：说明书线图均为示意图，仅供参考。由于产品不断更新与升级，产品实物与线图可能存在差异，请以实物为准。

另购附件

格栅

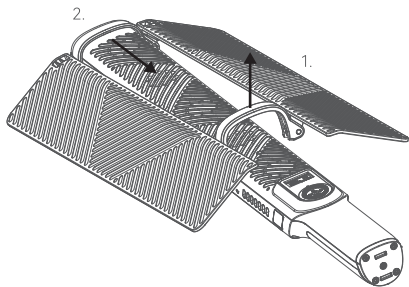
安装挡光板

将棒灯顶部插入挡光板夹槽，此时底部可顺势卡进挡光板夹环。



拆卸挡光板

将棒灯底部从夹环中拉出，棒灯自上往下抽出即可。



开机 / 关机

长按开关按钮实现开机 / 关机。

双色温模式

短按MODE按键切换至CCT（双色温模式）。

短按FN按键可选色温/绿品GM/亮度，选中某项后，旋转拨轮可调节色温范围或绿品范围或亮度范围，左旋一次减少100K色温/1个绿品单元值/1%亮度，右旋一次增加100K色温/1个绿品单元值/1%亮度，色温范围：2500K-8500K，GM范围：-50~+50，亮度范围：0%-100%。



HSI 彩光模式

短按MODE按键切换至HSI（彩光模式）。

短按FN按键可选H(色相)/S(饱和度)/亮度，选中某项后，旋转拨轮可调H(色相)/S(饱和度)/亮度。H(色相)范围：0°-360°，S(饱和度)范围：0-100，亮度范围：0%-100%。



FX 光效模式


短按MODE按键切换至FX（光效模式）。

短按FN按键可选光效/光效参数/亮度，选中某项后，旋转拨轮可调光效/光效参数/亮度，亮度范围：0%-100%，一共15类光效，具体光效参数如下：



序号	光效图标	光效类型	光效设置选项	调节范围
1		彩光循环	SPD(速度)	1-100
2		派对	SPD(速度)	1-100
3		闪光灯	SPD(速度)	1-100
4		雷闪电	FREQ(频率)	RANDOM(随机)/2-20
5		多云	SPD(速度)	RANDOM(随机)/1-100
6		坏灯泡	SPD(速度)	1-100
7		电视机	SPD(速度)	1-100
8		蜡烛	SPD(速度)	1-100
9		火	SPD(速度)	1-100
10		烟花	SPD(速度)	1-100
11		爆炸	SPD(速度)	1-100
12		焊接	SPD(速度)	1-100
13		警车	COLOR(颜色)	R+B、R、B、B+W、B+Y、Y、R+W+B、R+Y+B 分别代表红+蓝、红、蓝、蓝+白、蓝+黄、黄、红+白+蓝、红+黄+蓝
14		求救光效	CCT(色温)	2500K-8500K
15		音乐	MODE(模式)	1/2


P 模式

长按 FN 按键可开启 P 模式, 界面出现 。P 模式下将输出当前色温的最大功率, 最大约 100W 功率。再次长按 FN 按键可退回普通模式, 普通模式下每个色温功率约 50W。

注: 仅双色温模式下才可开启 P 模式, 此时若关闭风扇则自动退出 P 模式。




开启 / 关闭风扇

当灯体过热时, 短按风扇按键实现开启风扇或关闭风扇, 开启风扇时, 显示屏上方不会出现风扇图标。关闭风扇时, 显示屏上方出现  OFF 图标。

注: 关闭风扇时, 亮度调节范围: 0%-50%。



蓝牙设置

短按  按键进入蓝牙设置界面, 旋转拨轮可选 OFF(蓝牙关闭)/MAC 码 /RESET(蓝牙重置)。

选中“RESET”后, 短按 FN 按键进行蓝牙重置, 重置完毕自动返回蓝牙界面。



充电时间

DC 适配器	USB-C 口			
	10W	18W	30W	60W-65W
≈1h33min	≈8h30min	≈2h40min	≈2h15min	≈1h45min

注: PD 充电器最大支持 100W, QC 充电器最大支持 18W。

“Godox Light”App

扫描二维码即可下载“Godox Light”手机 App (安卓和苹果系统都可以使用)。

注: 首个移动设备 (手机或平板电脑) 可直接使用 APP 操控灯体, 更换其他移动设备时, 灯体需进行蓝牙重置方可正常使用 APP, APP 需升级至 V3.0 以上版本。



照度数据

参数		1m	2m	3m	
2500K	普通模式	lux	≈1050	≈287	≈130
		fc	≈98	≈27	≈12
	P 模式	lux	≈1420	≈390	≈175
		fc	≈132	≈36	≈16
3200K	普通模式	lux	≈1350	≈369	≈167
		fc	≈126	≈34	≈155
	P 模式	lux	≈1680	≈463	≈208
		fc	≈156	≈43	≈19
4300K	普通模式	lux	≈1460	≈398	≈181
		fc	≈136	≈37	≈17
	P 模式	lux	≈2400	≈663	≈297
		fc	≈223	≈62	≈28
5600K	普通模式	lux	≈1550	≈423	≈192
		fc	≈144	≈39	≈18
	P 模式	lux	≈2270	≈620	≈281
		fc	≈211	≈58	≈26
6500K	普通模式	lux	≈1470	≈401	≈182
		fc	≈137	≈37	≈17
	P 模式	lux	≈2010	≈547	≈249
		fc	≈186	≈51	≈23
8500K	普通模式	lux	≈1400	≈382	≈173
		fc	≈130	≈36	≈16
	P 模式	lux	≈1770	≈483	≈219
		fc	≈164	≈45	≈20

以上数据均为平均值, 非绝对值, 测试皆在灯体 100%亮度下进行。

规格参数

型号	LC1000 R
内置锂电池	21.6V \approx 2420mAh 52.272Wh
续航时间（灯体100%亮度）	普通模式：最长 \approx 59分钟 P模式：最长 \approx 28分钟
USB-C口输入	5V/9V/12V/15V/20V100W(Max.)
DC输入	20V \approx 6A
输入功率	普通模式：最大 \approx 65W P模式：最大 \approx 100W
色温范围	2500-8500K
调光范围	0%-100%
FX光效	15类
CRI	平均 \geq 96
TLCI	平均 \geq 96
控制方式	蓝牙控制/灯体控制
蓝牙控制距离	最远30m
工作环境温度	-10°C~+40°C
尺寸	\approx 56mm \times 558mm \times 48mm
净重	\approx 1kg

设计和规格如有变更，恕不另行通知。

Safety Instructions and Attention

First of all, as the most basic principle: This product is a professional lighting set equipment and should be used by professional lighting engineers or under the guidance of professionals. Basic safety attentions must always be followed during use, as follows:

1. Before use, please read and understand these instructions and attentions.
2. Professional lighting is prohibited for children. When children are near, parents or accompanying persons must supervise closely to prevent children from personal injury due to collision with lamps or private use of lamps.
3. This lighting product is not ordinary lighting product and cannot be used for general lighting. Anyone who has suffered eye damage or has sensitive eyes should avoid using this product.
4. When the lamp is on, it must be used with care. Do not touch high-temperature parts, such as LED lamp beads, to avoid burns.
5. When the lamp is on, it is forbidden to look directly at the lamp beads under any circumstances. Strong light should be used under the guidance of professional lighting engineers. Avoid prolonged exposure to strong light under any circumstances. If eye discomfort, please turn off the lamp in time, suspend use, and see a doctor immediately.
6. If the lamp bead is damaged or deformed by heat, stop using this equipment, and contact the manufacturer, service agent or qualified maintenance personnel to replace the lamp bead in time to avoid accidents.
7. This product is only suitable for use in -10°C to 40°C operating environment and normal humidity environment.
8. Do not use damaged equipment or accessories, and wait for professional maintenance personnel to check and repair to confirm being normal before use.
9. During using, if the casing of this product is broken due to being dropped, squeezed or subjected to strong impact, please do not use it, so as to avoid electric shock injury due to contact with internal electronic components.
10. This equipment is not waterproof, please keep it dry and do not immerse it in water or other liquids. The equipment should be installed in a dry and ventilated place, and avoid using it in rainy, humid, dusty or overheated environments. Do not place any objects on the lamp or let liquid flow into the lamp to avoid accidents.
11. Do not disassemble the product without permission. If the product fails, it must be checked and repaired by authorized maintenance personnel.
12. Do not place equipment near flammable and volatile solvents such as alcohol and gasoline.
13. Do not use accessories that are not recommended by our factory to avoid fire, electric shock or personal injury.
14. When cleaning, do not wipe it with a damp cloth, please use a dry cloth or a soft cloth to wipe the dirt of the equipment.
15. This product complies with ROHS, CE, and FCC certification, please refer to the relevant national standards for use and operation.
16. The safety instructions are formulated according to the strict testing of the factory, and the design and specifications of the equipment are subject to change without prior notice. For latest product information, please check the GODOX website and view latest electronic instruction.
17. Some products have built-in lithium batteries. Please use specified chargers, and use them within a proper range of the specified voltage and temperature according to the correct operating instructions.
18. One-year warranty period, accessories such as consumable batteries, adapters, power cords, etc. are not covered by this warranty.

19. If it is found that the equipment is repaired without authorization, the one-year warranty period will be cancelled and relevant fees will be charged for maintenance.
20. Machine failures caused by non-standard operation are not covered by the warranty.

Keep these instructions!

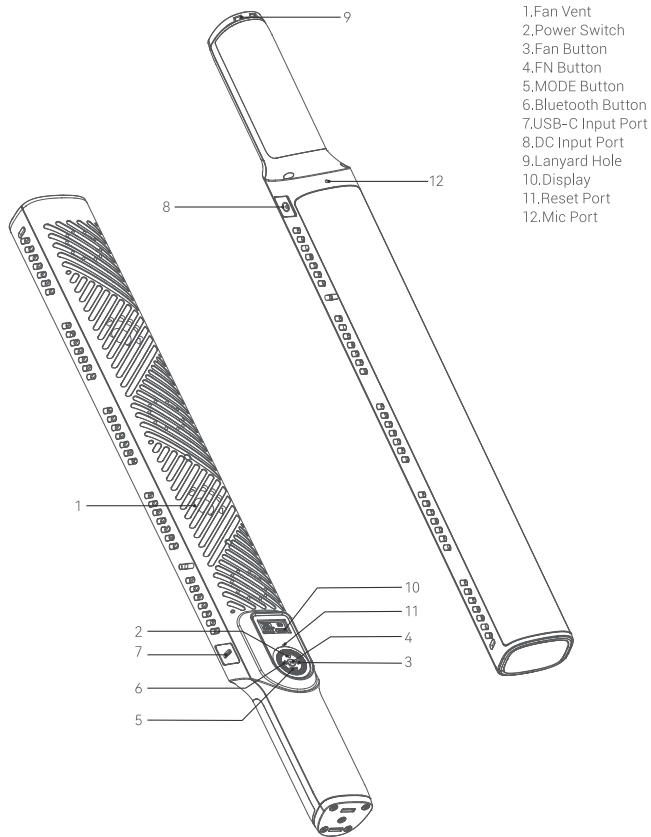
Foreword

Thank you for purchasing!
Introducing the latest high-power RGB LED Light Stick LC1000 R by Godox. The handle of the light is equipped with a 1/4" screw hole, making it compatible with most tripods available on the market. It supports charging via DC port/USB-C port, providing versatile charging options. With a built-in high-capacity lithium battery, it offers excellent portability. The light can be wirelessly controlled through the "Godox Light" App via Bluetooth, allowing for easy switching between various modes such as bi-color temperature mode, HSI mode, RGB mode, and FX mode. It is commonly used for portrait photography, selfie lighting, live streaming, creative shooting, video recording, and more.

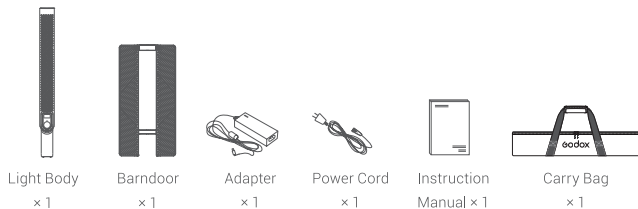
Warning

- ▲ Always keep this product dry. Do not use in rain or in damp conditions.
- ▲ Do not disassemble. Should repairs become necessary, this product must be sent to an authorized maintenance center.
- ▲ Keep out of reach of children.

Name of Parts



What's Inside



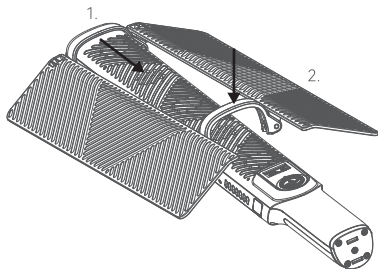
Note: Due to continuous updates and upgrades of the products, there may be differences between the actual products and the pictures. Therefore, the pictures are for reference only, products to prevail in kind.

Optional Accessories

Grid

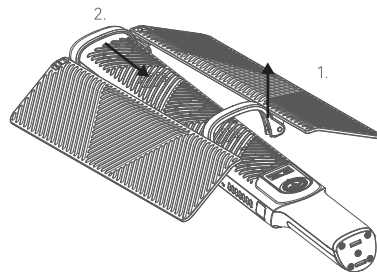
Installation of the Barndoor

Insert the top of the light stick into the slot of the barndoor. Then, the bottom of the stick light can be smoothly secured into the clamp of the barndoor.



Disassembly of Barndoor

Pull the bottom of the light stick out of the clamp and grasp the handle to slide the light stick out from top to bottom.



Power On/Off

Press the power switch button continuously to turn the device on/off.

Dual Color Temperature Mode

Press the MODE Button to switch to CCT (dual color temperature mode).

Pressing the FN Button allows you to select CCT/GM/brightness. After selecting an option, turn the dial to adjust CCT, GM or brightness range. Turn the dial counterclockwise to decrease CCT/GM/brightness by 100K/1/1% respectively, and turn it clockwise to increase the CCT/GM/brightness by 100K/1/1% respectively. The CCT range is 2500-8500K, GM range is -50~+50, and the brightness range is 0%-100%.



HSI Mode

Press the MODE Button to switch to the HSI mode. Press the FN Button to select H (hue, adjustable from 0° to 360°), S (saturation, adjustable from 0 to 100) or Brightness (brightness, adjustable from 0% to 100%).



FX Mode

Press the MODE Button to switch to FX mode.

Pressing the FN Button allows you to select lighting effect/lighting effect parameters/brightness. To be specific, after selecting an option, rotate the dial to adjust the lighting effect/lighting effect parameters/brightness.

Brightness Range: 0% to 100%.

There are a total of 15 lighting effects available, with specific parameters for each effect listed below:



FX Table

NO.	FX Icon	FX Type	FX Settings	Adjustable Range
1		RGB CYCLE	SPEED	1-100
2		PARTY	SPEED	1-100
3		FLASH	SPEED	1-100
4		LIGHTNING	FREQ	RANDOM/2-20
5		CLOUDY	SPEED	RANDOM/1-100
6		BROKEN BULB	SPEED	1-100
7		TELEVISION	SPEED	1-100
8		CANDLE	SPEED	1-100
9		FIRE	SPEED	1-100
10		FIREWORKS	SPEED	1-100
11		EXPLOSION	SPEED	1-100
12		WELDING	SPEED	1-100
13		POLICE CAR	COLOR	R+B, R, B, B +W, B +Y, Y, R+W+B, R+Y+B
14		SOS	CCT	2500K-8500K
15		MUSIC	MODE	1/2

P Mode

Press the FN Button continuously to activate the P mode. The interface will appear , and in P mode, the maximum power output at the current CCT is approximately 100W. To return to normal mode, press the FN Button continuously again. In normal mode, the power output for each CCT is approximately 50W.

Note: P mode can only be activated in dual-color temperature mode. If the fan is turned off during this mode, it will automatically exit the P mode.



Turning the Fan On/Off

When the light body becomes overheated, simply press the fan button briefly to turn on or turn off the fan. When the fan is turned on, there will be no fan icon displayed above the screen. When the fan is turned off, will appear above the screen.

Note: When the fan is turned off, the brightness adjustment range is from 0% to 50%.



Bluetooth Setting

Press the to enter the Bluetooth setting interface. Rotate the dial to select OFF (Bluetooth off)/MAC code/RESET (Bluetooth reset).

After selecting 'RESET', press the FN Button to reset the Bluetooth. After the reset is complete, it will automatically return to the Bluetooth interface.



Charging Time

DC Adapter	USB-C Port			
	10W	18W	30W	60W-65W
≈1h33min	≈8h30min	≈2h40min	≈2h15min	≈1h45min

Note: The PD charger supports a maximum of 100W, while the QC charger supports a maximum of 18W.

“Godox Light”App

Scan the QR code to download “Godox Light” app (both Android and iOS systems are available).

Note: The app can be used directly on the firstly installed device (smartphone or tablet). When changing to other mobile device, the light shall be reset before the normal usage of the app. The app should be V3.0 or above.



Photometric Data

Parameter			1m	2m	3m
2500K	Normal Mode	lux	≈1050	≈287	≈130
		fc	≈98	≈27	≈12
	P Mode	lux	≈1420	≈390	≈175
		fc	≈132	≈36	≈16
3200K	Normal Mode	lux	≈1350	≈369	≈167
		fc	≈126	≈34	≈155
	P Mode	lux	≈1680	≈463	≈208
		fc	≈156	≈43	≈19
4300K	Normal Mode	lux	≈1460	≈398	≈181
		fc	≈136	≈37	≈17
	P Mode	lux	≈2400	≈663	≈297
		fc	≈223	≈62	≈28
5600K	Normal Mode	lux	≈1550	≈423	≈192
		fc	≈144	≈39	≈18
	P Mode	lux	≈2270	≈620	≈281
		fc	≈211	≈58	≈26
6500K	Normal Mode	lux	≈1470	≈401	≈182
		fc	≈137	≈37	≈17
	P Mode	lux	≈2010	≈547	≈249
		fc	≈186	≈51	≈23
8500K	Normal Mode	lux	≈1400	≈382	≈173
		fc	≈130	≈36	≈16
	P Mode	lux	≈1770	≈483	≈219
		fc	≈164	≈45	≈20

Note: The above data are average values instead of absolute values. All the above tests are based on the condition of 100% brightness.

Technical Data

Model	LC1000 R
Built-in Lithium Battery	21.6V/2420mAh 52.272Wh
Battery Life (At 100% Brightness)	Normal Mode: Max.≈28 min P Mode: Max.≈28 min
Type-C Input	5V/9V/12V/15V/20V/20V100W(Max.)
DC Input	20V ≈6A
Input Power	Normal Mode:Max.≈65W P Mode: Max.≈100W
CCT	2500-8500K
Brightness Range	0%-100%
FX Type	15
CRI	Average≈96
TLCI	Average≈96
Control Method	Bluetooth Control/Light Body Control
Bluetooth Control Distance	Max. 30m
Working Environment Temperature	-10 C ~40 C
Dimension (Including Grip Handle)	≈2.2”*21.97”*1.89”
Net Weight	≈1kg

Specifications and data may subject to changes without notice.

FCC Statement

This device complies with part 15 of the FCC Rules. Operation is subject to the following two conditions:

- (1) This device may not cause harmful interference, and
- (2) this device must accept any interference received, including interference that may cause undesired operation.

Any Changes or modifications not expressly approved by the party responsible for compliance could void the user's authority to operate the equipment.

Note: This equipment has been tested and found to comply with the limits for a Class B digital device, pursuant to part 15 of the FCC Rules. These limits are designed to provide reasonable protection against harmful interference in a residential installation. This equipment generates uses and can radiate radio frequency energy and, if not installed and used in accordance with the instructions, may cause harmful interference to radio communications. However, there is no guarantee that interference will not occur in a particular installation. If this equipment does cause harmful interference to radio or television reception, which can be determined by turning the equipment off and on, the user is encouraged to try to correct the interference by one or more of the following measures:

- Reorient or relocate the receiving antenna.
 - Increase the separation between the equipment and receiver.
 - Connect the equipment into an outlet on a circuit different from that to which the receiver is connected.
 - Consult the dealer or an experienced radio/TV technician for help.
- The device has been evaluated to meet general RF exposure requirement.
The device can be used in portable exposure condition without restriction.

Warning

Operating frequency:2402MHz – 2480MHz (BT)
Maximum EIRP Power: 5dBm

Declaration of Conformity

GODOX Photo Equipment Co.,Ltd. hereby declares that this equipment are in compliance with the essential requirements and other relevant provisions of Directive 2014/53/EU. In accordance with Article 10(2) and Article 10(10), this product is allowed to be used in all EU member states.For more information of DoC, Please click this web link:

<https://www.godox.com/eu-declaration-of-conformity/>

The device complies with RF specifications when the device used at 0mm from your body.

产品保修

尊敬的用户, 本保修卡是申请保修服务的重要凭证, 请您配合销售商填写并妥善保管, 谢谢!

产品信息	型号	产品条码
用户信息	姓名	联系电话
	通信地址	
销售商信息	名称	
	联系电话	
	通信地址	
	销售日期	
备注		

注: 此表应由销售商盖章确认。

产品信息

本文件适用于相关《产品保修信息》(见后面说明)所列产品, 其他非属此范围的产品或部件(如促销品、赠品及其他出厂后附加的部件等)不在此保修承诺内。

保修期

产品及部件的相应保修期按相关的《产品保修信息》执行。保修期自产品首次购买日起算, 购买日以购买产品时保修卡登记日期为准。

如何获得保修服务

您可直接与产品销售商或授权服务机构联系, 也可拨打神牛产品售后服务电话, 与我们联系, 由我们的服务人员为您安排服务。申请保修时, 您应提供有效的保修卡作为保修凭证, 方可获得保修。如您不能提供有效的保修卡, 则在我们确认产品或部件属于保修范围的情况下, 也可以为您提供保修, 但这不作为我们的义务。

不适用保修的情况

如产品存在下列情况, 本文件项下的保证和服务将不适用: ①产品或部件超过相应保修期; ②错误或不适当使用、维护或 保管导致的故障或损坏, 如: 不当搬运; 非按产品合理预期用途使用; 不当插拔外接设备; 跌落或外力挤压; 接触或暴露于不当温度、溶剂、酸碱、水浸或潮湿环境; ③由非神牛授权机构或人员安装、修理、更改、添加或拆卸造成的故障或损坏; ④产品或部件原有识别信息被修改变更或删除; ⑤无有效保修卡; ⑥使用非合法授权、非标准或非公开发行的软件造成的故障或损坏; ⑦因不可抗力或意外事件造成的故障或损坏; ⑧其他非因产品本身质量问题导致的故障或损坏。遇上述情况, 您应向相关责任方寻求解决, 神牛对此不承担任何责任。因非在保修期或保修范围内的部件、附件或软件导致产品不能正常使用的, 不是保修范围内的故障。产品使用过程中正常的脱色, 磨损和消耗, 不是保修范围内的故障。

产品保修和服务支持信息

产品的保修期和服务类型按以下《产品保修信息》执行:

产品类别	选件名称	保修期(月)	保修服务类型
部件	主机	12	客户送修
	电池	3	客户送修
	充电器等带电性能的部件。	12	客户送修
其他	如外壳、保护罩、锁紧装置、包装等。	无	无保修

神牛产品售后服务电话 0755-29609320-8062

Warranty

Dear customers, the following warranty card is an important certificate to apply for our maintenance service, please fill in the following form in coordination with the seller and safe-keep it. Thank you!

Product Information	Model	Product Code Number
Customer Information	Name	Contact Number
	Address	
Seller Information	Name	
	Contact Number	
	Address	
	Date of Sale	
Note		

Note: This form shall be sealed by the seller.

Applicable Products

The document applies to the products listed on the Product Maintenance Information (see below for further information). Other products or accessories (e.g. promotional items, giveaways and additional accessories attached, etc.) are not included in this warranty scope.

Warranty Period

The warranty period of products and accessories is implemented according to the relevant Product Maintenance Information. The warranty period is calculated from the day (purchase date) when the product is bought for the first time, and the purchase date is considered as the date registered on the warranty card when buying the product.

How to Get the Maintenance Service

If maintenance service is needed, you can directly contact the product distributor or authorized service institutions. You can also contact the Godox after-sale service call and we will offer you service. When applying for maintenance service, you should provide valid warranty card. If you cannot provide valid warranty card, we may offer you maintenance service once confirmed that the product or accessory is involved in the maintenance scope, but that shall not be considered as our obligation.

Inapplicable Cases

The guarantee and service offered by this document are not applicable in the following cases: ① **The product or accessory has expired its warranty period;** ② **Breakage or damage caused by inappropriate usage, maintenance or preservation, such as improper packing, improper usage, improper plugging in/out external equipment, falling off or squeezing by external force, contacting or exposing to the improper temperature, solvent, acid, base, flooding and damp environments, etc;** ③ **Breakage or damage caused by non-authorized institution or staff in the process of installation, maintenance, alternation, addition and detachment;** ④ **The original identifying information of product or accessory is modified, alternated, or removed;** ⑤ **No valid warranty card;** ⑥ **Breakage or damage caused by using illegally authorized, nonstandard or non-public released software;** ⑦ **Breakage or damage caused by force majeure or accident;** ⑧ **Breakage or damage that could not be attributed to the product itself.**

Once met these situations above, you should seek solutions from the related responsible parties and Godox assumes no responsibility. The damage caused by parts, accessories and software that beyond the warranty period or scope is not included in our maintenance scope. The normal discoloration, abrasion and consumption are not the breakage within the maintenance scope.

Maintenance and Service Support Information

The warranty period and service types of products are implemented according to the following Product Maintenance Information:

Product Type	Name	Maintenance Period(month)	Warranty Service Type
Parts	Circuit Board	12	Customer sends the product to designated site
	Battery	3	Customer sends the product to designated site
	Electrical parts e.g.battery charger, etc.	12	Customer sends the product to designated site
Other Items	Lamp body, lamp cover, locking device, package, etc.	No	Without warranty

Godox After-sale Service Call +86-755-29609320(8062)