



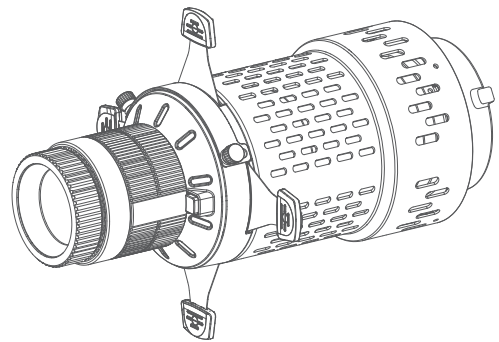
前言

感谢您购买神牛产品!

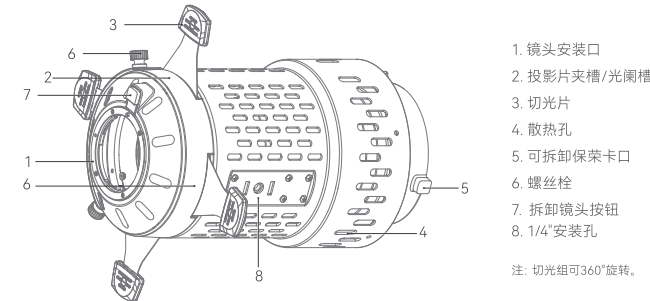
神牛全新推出一款保荣卡口投影筒BFP For Flash, 小巧易携, 搭配保荣卡口外拍灯或影室闪光灯, 能够为用户提供光束切割、光学变焦、光束投影、光束造型等特色光效。

适用机型

保荣卡口外拍灯或影室闪光灯



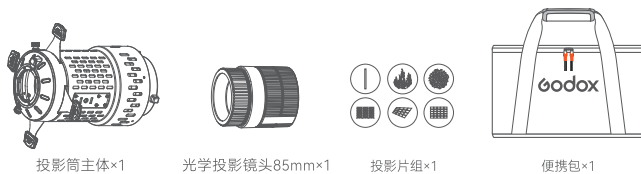
部件名称



1. 镜头安装口
2. 投影片夹槽/光阑槽
3. 切光片
4. 散热孔
5. 可拆卸保荣卡口
6. 螺丝栓
7. 拆卸镜头按钮
8. 1/4"安装孔

注: 切光组可360°旋转。

物料清单



投影筒主体×1

光学投影镜头85mm×1

投影片组×1

便携包×1



色片夹 ×1



投影片夹×1



说明书 ×1

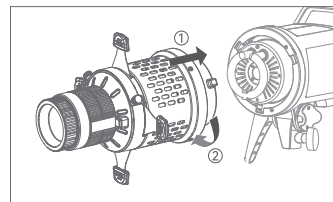
注意: 本产品光学镜头卡口采用的是EF卡口, 切勿使用相机镜头卡口替代使用, 否则产生的高温会破坏相机镜头。

另购附件

光学投影镜头48mm、光学投影镜头65mm、光学投影镜头85mm、光学投影镜头150mm、可调光阑MLP-ID、色片色彩组SA-11C、色片色温组SA-11T、可更换卡盘SA-BW、可更换卡盘SA-GD、可更换卡盘SA-PF、可更换卡盘SA-BR、可更换卡盘SA-EC

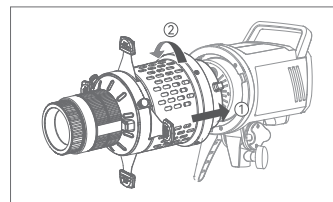
安装保荣卡口影室闪光灯 (以MS300V为例)

将影室闪光灯保荣卡口对准投影筒的卡扣插入, 接着向右旋转拧紧即可。



拆卸保荣卡口影室闪光灯 (以MS300V为例)

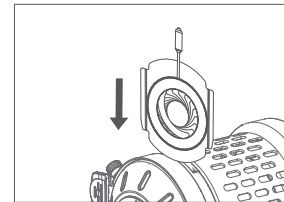
将 MS300V 卡口推制往后推动, 接着向左旋转松开即可完成拆卸。



安装光阑

逆时针拧松投影筒的两个螺丝栓(只需要拧松, 不需要拧下), 滑开槽盖, 将光阑插入槽中即可安装完毕。

注: 光阑需另购



规格参数

投影筒 (不包含镜头)	标配镜头 85mm	光学投影镜头 65mm	光学投影镜头 150mm	
尺寸	220mm×220mm×232mm	80mm×80mm×88mm	80mm×80mm×72mm	80mm×80mm×129mm
净重 ^①	1.3kg	0.5kg	0.5kg	0.7kg

投影筒 +65mm 镜头闪光指数 (使用闪光灯为 QT600III)	GN9
投影筒 +85mm 镜头闪光指数 (使用闪光灯为 QT600III)	GN14
投影筒 +150mm 镜头闪光指数 (使用闪光灯为 QT600III)	GN22

^① 65mm/150mm 镜头均需另购。设计和规格如有变更, 恕不另行通知。

BFP

闪光灯投影筒
Flash Projection Attachment

使用手册

Instruction Manual

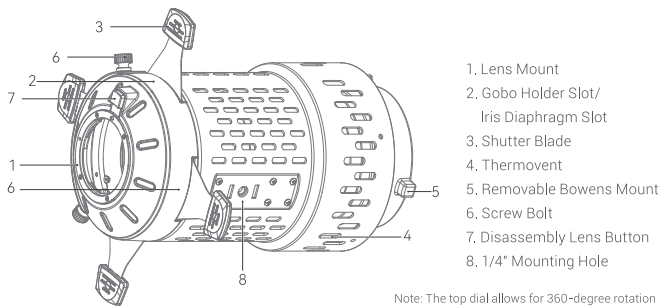
Foreword

Thank you for purchasing !
 Godox is proud to introduce a new product, BFP For Flash, a compact and portable projection tube.
 Paired with Bowens-mount outdoor flash or studio flash, it can offer users a range of unique lighting effects including beam cutting, optical zooming, beam projection, and beam shaping.

Applicable Models

Bowens-mount outdoor flash or studio flash

Name of Parts



What's Inside

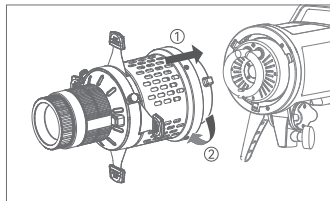


Optional Accessories

Optical Projection Lens 48mm, Optical Projection Lens 65mm, Optical Projection Lens 85mm, Optical Projection Lens 150mm, Adjustable Iris Diaphragm MLP-ID, Color Effects Set SA-11C, Color Temperature Adjustment Set SA-11T, Replaceable Chuck SA-BW, Replaceable Chuck SA-GD, Replaceable Chuck SA-PF, Replaceable Chuck SA-BR, Replaceable Chuck SA-EC.

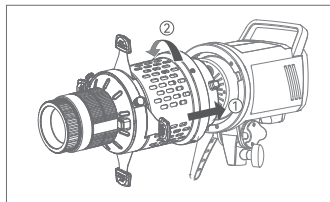
Installation of Bowens-mount Studio Flash (take MS300V as an example)

Pull the MS300V pusher backward, then turn it to the left to release it.



Disassembly of Bowens-mount Studio Flash (take MS300V as an example)

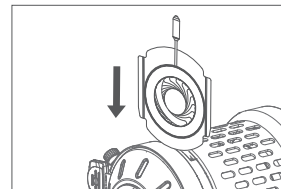
Pull the MS300V pusher backward, then turn it to the left to release it.



Installation of Iris Diaphragm

Loosen the screw bolt on the projection tube counterclockwise (only loosen, do not remove them), slide open the iris diaphragm cap, and then insert the iris diaphragm into iris diaphragm slot.

Note: iris diaphragm is sold separately.



Technical Data

	Projection tube(excluding lens)	Projection lens 85mm	Projection lens 65mm	Projection lens 150mm
Size	220mm×220mm×232mm	80mm×80mm×88mm	80mm×80mm×72mm	80mm×80mm×129mm
Net weight	1.3kg	0.5kg	0.5kg	0.7kg

Projection Lens 65mm (when used with QT600III flash)	GN9
Projection Lens 85mm (when used with QT600III flash)	GN14
Projection Lens 150mm (when used with QT600III flash)	GN22

Please note that the 65mm, and 150mm lenses for the projection attachment are not included and need to be purchased separately.

Specifications and data may subject to changes without notice.



深圳市神牛摄影器材有限公司
 地址: 深圳市宝安区福海街道塘尾社区耀川工业区厂房2栋 电话: 0755-29609320(8062)
 传真: 0755-25723423 邮箱: godox@godox.com

GODOX Photo Equipment Co.,Ltd.
 Add.: Building 2, Yaochuan Industrial Zone, Tangwei Community, Fuhai Street, Bao'an District, Shenzhen 518103, China Tel: +86-755-29609320(8062) Fax: +86-755-25723423
 E-mail: godox@godox.com

godox.com
 Made in China | 705-BFFPFD-00

