

705-SL6000-09

合格证  
QC PASS

## 深圳市神牛摄影器材有限公司

地址: 深圳市宝安区福海街道塘尾社区耀川工业区厂房2栋  
电话: 0755-29609320(8062) 传真: 0755-25723423 邮箱: godox@godox.com

## GODOX Photo Equipment Co., Ltd.

Add: Building 2, Yaochuan Industrial Zone, Tangwei Community, Fuhai Street, Bao'an District,  
Shenzhen, China Tel: +86-755-29609320(8062) Fax: +86-755-25723423  
E-mail: godox@godox.com

godox.com

Made in China



# Godox

LED摄影灯  
SL Series Video Light

# SL60



说明手册  
INSTRUCTION MANUAL

## 前言

感谢您购买神牛产品!

SL系列摄影灯光源稳定, 显色性好, 功能强大, 非常适用于影棚拍摄、采访布光、静物拍摄以及视频拍摄等。此灯具有2种型号: 白光版(5600K)、黄光版(3300K), 配备专用遥控器, 可无线分组调光, 无线调节亮度, 功能丰富, 操作便捷。产品具有以下亮点:

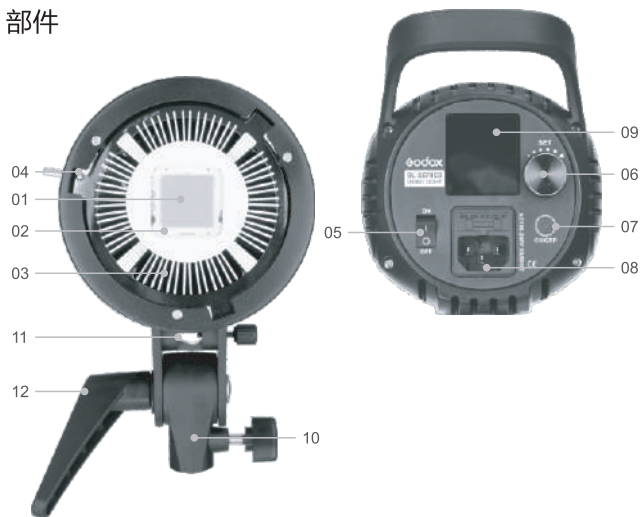
- 60W大功率LED灯珠亮度高, 光源稳定
- 显色指数高达95以上, R9高达90以上, 真实还原物体色彩
- 大液晶屏精准显示, 参数自动保存
- 专门设计灯珠保护罩, 避免灯珠因触摸、碰撞引起损坏
- 配备紫铜散热片与内置风扇高效散热, 具有温度控制保护, 延长灯珠使用寿命

类型	型号
白光版(色温5600K)	SL60W
黄光版(色温3300K)	SL60Y

## 注意事项

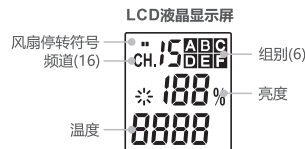
- ⚠ 请勿将摄影灯放置在高温、高湿的地方。
- ⚠ 此机有温度保护功能, 当温度过高时进入保护状态, 当温度降低后恢复正常。
- ⚠ 请勿用湿手接触产品, 亦不可将产品浸入水中或暴露于雨中。
- ⚠ 请勿拆卸或改造产品。若本产品因为摔落或其他意外事故造成破损, 请将产品送至厂家授权的维修中心进行检查维修。

## 部件



### 主机:

01. LED灯珠
02. 灯珠保护罩
03. 散热片
04. 附件卡槽
05. ON/OFF开关
06. 调节旋钮+SET按钮
07. CH/GRP按钮
08. AC电源插座
09. LCD屏(蓝底白字)
10. 托架
11. 伞孔
12. 方向调节把手



## 附件



反光罩



灯头保护罩



电源线

## 操作说明

### 1. 开始使用摄影灯

- 连接AC电源。
- 按ON/OFF按钮，摄影灯开始发光。
- LCD显示主机当前信息

### 2. 亮度/色温调节

#### 亮度调节

- 在常态时，旋转主机上的调节旋钮可对亮度进行调整；
- 可调节亮度范围：10%~100%。

### 3. 温度显示

- 本机时时检测LED摄影灯的温度，温度过高时自动关机，杜绝安全隐患；
- 长按2秒SET按钮，可使温度在摄氏度与华氏度之间互相切换。

### 4. 亮度/色温调节

本产品具备无线遥控功能，使用433MHz无线技术，无视角限制，距离远，可同时分别控制6个摄影灯。16组传输频道，抗干扰能力强。

- 使用前请把摄影灯主机和遥控器的频道与组别调至一致。
- 使用白光版时，请把遥控器的色温值固定在5600K；
- 使用黄光版时，请把遥控器的色温值固定在3300K。

#### 主机频道/组别调整

- 在常态时，按CH/GRP按钮，此时组别闪烁，旋转调节旋钮可选择组别(A~F)；
- 在常态时，按CH/GRP按钮2次，此时频道闪烁，旋转调节旋钮可选择频道(1~16)；

#### 遥控器频道/组别调整

- 在常态时，按CH/GRP按钮，此时组别闪烁，旋转调节旋钮可选择组别(A~F)；
- 在常态时，按CH/GRP按钮2次，此时频道闪烁，旋转调节旋钮可选择频道(1~16)；

#### 遥控器亮度/色温参数调节

- 在常态时，按“-”“+”按钮可对亮度调整；
- 在常态时，按SET按钮1次，此时色温值闪烁，按“-”“+”按钮可对色温调整；

#### 其他操作说明(遥控器另购)

- 按遥控器的ON/OFF按键，可打开或者关闭所有组别的摄影灯。
- 长按遥控器“SET”按钮2秒，可打开或者关闭当前组别的摄影灯。
- 长时间不使用，请取出电池。



当本机内部有异常时，LCD相应显示会闪烁进行提示。

- 1、风扇因故障停止转动后，H图标闪烁提示。
- 2、散热片温度>70℃时，温度闪烁提示，摄影灯停止运行。

## 产品参数

摄影灯	白光版SL60W	黄光版SL60Y
AC电源供电	AC 100~240V 50/60Hz	
频道	16个	
组别	6组(A, B, C, D, E, F)	
功率	60W	
色温	5600K±300K	3300K±300K
100%光照度(LUX)	4100(1米)	
100%光通量(Lm)	4500	
显色指数	>95	
R9	90	
TLCI(Ca)	>90	
调光范围	10%~100%	
工作环境温度	-10~50度	
LED灯珠安全温度	≤70°C	
产品尺寸	23x24x14cm(不含灯头保护罩)	
净重	约1.61kg	

设计和规格如有变更，恕不另行通知。

### Warning

Operating frequency:433.05 MHz - 434.79MHz (only receive)

### Declaration of Conformity

GODOX Photo Equipment Co.,Ltd. hereby declares that this equipment are in compliance with the essential requirements and other relevant provisions of Directive 2014/53/EU. In accordance with Article 10(2) and Article 10(10), this product is allowed to be used in all EU member states.For more information of DoC, Please click this web link:

[http://www.godox.com/DOC/Godox\\_SL60\\_Series\\_DOC.pdf](http://www.godox.com/DOC/Godox_SL60_Series_DOC.pdf)

The device complies with RF specifications when the device used at 0mm from your body.

## Foreword:

Thank you for purchasing this Godox Product!

SL Series video lights are excellent for product shooting, photojournalistic and video recording, etc. It creates stable light resource and even illumination for photography. Two models are available: White Version (5600K), Yellow Version (3300K).

### Features:

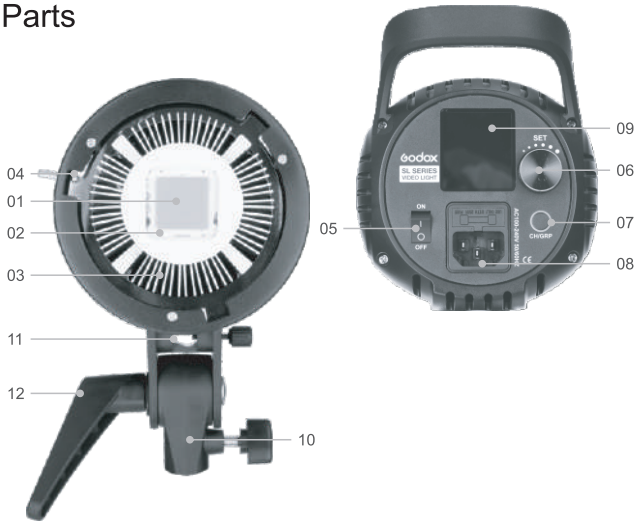
- 60W LED bulbs guarantee high light brightness
- The color rendering index is over 95 and R9 is 90, presenting the objects authentically
- Wirelessly adjust light brightness
- Wireless 433MHz grouping system (6 groups & 16 channels)
- Large-sized LCD panel. Settings auto saved
- With temperature control function to prevent overheating
- With specialized protect cover to protect the LED beads
- With red copper heatsink and built-in fan to offer excellent heat dissipation

Type	Model
White Version(Color Temperature 5600K)	SL60W
Yellow Version(Color Temperature 3300K)	SL60Y

## For your safety:

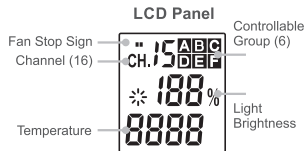
- ⚠ Do not place in high temperature or high humidity conditions.
- ⚠ If this product overheats, it will cease operation and resume working after cooling down. This is due to the built-in overtemperature protection.
- ⚠ Do not handle with wet hands, immerse in water, or expose to rain.
- ⚠ Do not disassemble or modify this product. Should the product break open as the result of a fall or other accident, send the defective back to authorized service center for inspection and maintenance.

## Parts



### Body

01. LED Beads
02. Protect Cover
03. Heatsink
04. Accessory Slot
05. ON/OFF Power Switch
06. Select Dial + SET Button
07. CH/GRP Button
08. AC Power Jack
09. LCD Panel (White in Blue)
10. Mounting Bracket
11. Umbrella Input
12. Direction Adjusting Handle



## Accessories



Standard Reflector

Lamp Cover

Power Cord

## Operation

### Using the Video Light

- Connect the light with AC power jack.
- Press the ON/OFF Power Switch, the video light begins to giving out light.
- LCD panel shows the information.

### Light Brightness Adjustment

- Turn the select dial to adjust the light brightness.
- The light brightness adjustable range is at 10%~100%.

### Temperature Indication

- This video light checks its temperature at any time to avoid dangerous situations. It will auto power off when the temperature is too high.
- Press the SET button for 2 seconds and the temperature can be switched between Celsius and Fahrenheit.

## Wireless Remote Control

With 433 MHz wireless system, this product has remote grouping and control function. Up to 6 groups of video lights can be controlled. 16 channels are available with strong anti-interference capability.

- Please set the channels and groups of video light to the same as those of remote control before usage.
- When using the White Version, please set the color temperature of the remote control as 5600K constantly;
- When using the Yellow Version, please set the color temperature of the remote control as 3300K constantly;

### Adjusting Channel/Group of the Video Light

- Press the CH/GRP button and the group icon blinks. Turn the select dial to choose a group ID (A to F).
- Press the CH/GRP button twice and the channel icon blinks. Turn the select dial to choose a channel ID (1 to 16).

### Adjusting Channel/Group of the Remote Control

- Press the CH/GRP button and the group icon blinks. Press the“-”“+” button to choose a group ID (A to F).
- Press the CH/GRP button twice and the channel icon blinks. Press the“-”“+” button to choose a channel ID (1 to 16).

### Adjusting Light Brightness/Color Temperature with the Remote Control

- Press the“-”“+” button to adjust the light brightness.
- Press the SET button of the remote control once and the color temperature icon blinks. Press the“-”“+” button to adjust the color temperature.

Note: Remote control purchased separately

## Other Operation Tips:

- Pressing the ON/OFF button on the remote control can turn on/off all the video light groups.
- Pressing the “SET” button on the remote control for 2 seconds can turn on/off the current video light group.
- Please remove the battery if the light will not be used for an extended period of time.



When there are some abnormal situations in the inner video light, the relevant LCD signs will blink as warnings. For example:

1. When the fan stops working due to fault, II signs will blink to alarm.
2. When heatsink' temperature is over 70 Celsius degrees, the temperature on the LCD panel will blink and the video light will stop working.

## Technical Data:

Video Light	White Version SL60W	Yellow Version SL60Y
AC Power Supply	AC 100~240V 50/60Hz	
Channel	16	
Group	6 groups (A, B, C, D, E, F)	
Power	Max. 60W	
Color Temperature	5600K±300K	3300K±300K
100% Illuminance (LUX)	4100 (1m)	
100% Luminous Flux	4500	
Color Rendering Index	>95	
R9	90	
TLCl(Qa)	>90	
Light Brightness Range	10%~100%	
Operation Temperature	-10~50°C	
Safe Temperature	≤70°C	
Dimension	23x24x14cm (Not included the Lamp Cover)	
Net Weight	Approx. 1.61kg	

\* Product design and specifications are subject to change without notice.

## FCC Statement

This device complies with part 15 of the FCC Rules. Operation is subject to the following two conditions: (1) This device may not cause harmful interference, and (2) this device must accept any interference received, including interference that may cause undesired operation.

**Note:** This equipment has been tested and found to comply with the limits for a Class B digital device, pursuant to part 15 of the FCC Rules. These limits are designed to provide reasonable protection against harmful interference in a residential installation. This equipment generates uses and can radiate radio frequency energy and, if not installed and used in accordance with the instructions, may cause harmful interference to radio communications. However, there is no guarantee that interference will not occur in a particular installation. If this equipment does cause harmful interference to radio or television reception, which can be determined by turning the equipment off and on, the user is encouraged to try to correct the interference by one or more of the following measures:

- Reorient or relocate the receiving antenna.
- Increase the separation between the equipment and receiver.
- Connect the equipment into an outlet on a circuit different from that to which the receiver is connected.
- Consult the dealer or an experienced radio/TV technician for help.

## 产品保修

尊敬的用户，本保修卡是申请保修服务的重要凭证，请您配合销售商填写并妥善保管，谢谢！

产品信息	型号	产品条码
用户信息	姓名	联系电话
	通信地址	
销售商信息	名称	
	联系电话	
	通信地址	
	销售日期	
备注		

注：此表应由销售商盖章确认。

### 如何获得保修服务

要保修服务，您可直接与产品销售商或授权服务机构联系，也可拨打神牛产品售后服务电话，与我们联系，由我们的服务人员为您安排服务。申请保修时，您应提供有效的保修卡作为保修凭证，方可获得保修。如您不能提供有效的保修卡，则在我们可确认产品或部件属于保修范围的情况下，也可以为您提供保修，但这不作为我们的义务。

### 不适用保修的情况

如产品存在下列情况，本文件项下的保证和服务将不适用 ①产品或部件超过相应保修期；②错误或不适当使用、维护或保管导致的故障或损坏，如：不当搬运；非按产品合理预期用途使用；不当插拔外接设备；跌落或外力挤压；接触或暴露于不当温度、溶剂、酸碱、水浸或潮湿环境；③由非神牛授权机构或人员安装、修理、更改、添加或拆卸造成的故障或损坏；④产品或部件原有识别信息被修改变更或除去；⑤无有效保修卡；⑥使用非合法授权、非标准或非公开发行的软件造成的故障或损坏；⑦因不可抗力或意外事件造成的故障或损坏；⑧其他非因产品本身质量问题导致的故障或损坏。遇上述情况，您应向相关责任方寻求解决，神牛对此不承担任何责任。因非在保修期或保修范围内的部件、附件或软件导致产品不能正常使用的，不是保修范围内的故障。产品使用过程中正常的脱色，磨损和消耗，不是保修范围内的故障。

### 产品保修和服务支持信息

产品的保修期和服务类型按以下《产品保修信息》执行：

产品类别	选件名称	保修期(月)	保修服务类型
部件	电路板	12	客户送修
	电池	3	客户送修
	充电器、电源线、同步线等带电性能的部件。	12	客户送修
其他	如闪光灯管、造型灯泡、外壳、保护罩、锁紧装置、包装等。	无	无保修

神牛产品售后服务电话 0755-29609320-8062

### 适用产品

本文件适用于相关《产品保修信息》(见后面说明)所列产品，其他非属此范围的产品或部件(如促销品、赠品及其他出厂后附加的部件等)不在此保修承诺内。

### 保修期

产品及部件的相应保修期按相关的《产品保修信息》执行。保修期自产品首次购买日起算，购买日以购买产品时保修卡登记日期为准。

# Warranty

Dear customers, as this warranty card is an important certificate to apply for our maintenance service, please fill in the following form in coordination with the seller and safekeep it. Thank you!

Product Information	Model	Product Code Number
Customer Information	Name	Contact Number
	Address	
Seller Information	Name	
	Contact Number	
	Address	
	Date of Sale	
Note:		

Note: This form shall be sealed by the seller.

## Warranty Period

The warranty period of products and accessories is implemented according to the relevant Product Maintenance Information. The warranty period is calculated from the day (purchase date) when the product is bought for the first time. And the purchase date is considered as the date registered on the warranty card when buying the product.

## How to Get the Maintenance Service

If maintenance service is needed, you can directly contact the product distributor or authorized service institutions. You can also contact the Godox after-sale service call and we will offer you service. When applying for maintenance service, you should provide valid warranty card. If you cannot provide valid warranty card, we may offer you maintenance service once confirmed that the product or accessory is involved in the maintenance scope, but that shall not be considered as our obligation.

## Inapplicable Cases

The guarantee and service offered by this document are not applicable in the following cases: ①. The product or accessory has expired its warranty period; ②. Breakage or damage caused by inappropriate usage, maintenance or preservation, such as improper packing, improper usage, improper plugging in/out external equipment, falling off or squeezing by external force, contacting or exposing to the improper temperature, solvent, acid, base, flooding and damp environments, etc; ③. Breakage or damage caused by non-authorized institution or staff in the process of installation, maintenance, alteration, addition and detachment; ④. The original identifying information of product or accessory is modified, alternated, or removed; ⑤. No valid warranty card; ⑥. Breakage or damage caused by using illegally authorized, nonstandard or non-public released software; ⑦. Breakage or damage caused by force majeure or accident; ⑧. Breakage or damage that could not be attributed to the product itself. Once met these situations above, you should seek solutions from the related responsible parties and Godox assumes no responsibility. The damage caused by parts, accessories and software that beyond the warranty period or scope is not included in our maintenance scope. The normal discoloration, abrasion and consumption are not the breakage within the maintenance scope.

## Maintenance and Service Support Information

The warranty period and service types of products are implemented according to the following Product Maintenance Information:

Product Type	Name	Maintenance Period(month)	Warranty Service Type
Parts	Circuit Board	12	Customer sends the product to designated site
	Battery	3	Customer sends the product to designated site
	Electrical parts e.g.battery charger, power cord, sync cable, etc.	12	Customer sends the product to designated site
Other Items	Flash tube, modeling lamp, lamp body, lamp cover, locking device, package, etc.	No	Without warranty

Godox After-sale Service Call **0755-29609320-8062**

## Applicable Products

The document applies to the products listed on the Product Maintenance Information (see below for further information). Other products or accessories (e.g. promotional items, giveaways and additional accessories attached, etc.) are not included in this warranty scope.